



**Intermec**



Quick Start Guide

**EasyLAN™ 10i2  
Ethernet Adapter**

Intermec Technologies Corporation

Corporate Headquarters  
6001 36th Ave. W.  
Everett, WA 98203  
U.S.A.

[www.intermec.com](http://www.intermec.com)

The information contained herein is proprietary and is provided solely for the purpose of allowing customers to operate and service Intermec-manufactured equipment and is not to be released, reproduced, or used for any other purpose without written permission of Intermec.

Information and specifications contained in this document are subject to change without prior notice and do not represent a commitment on the part of Intermec Technologies Corporation.

© 2002-2004 Intermec Technologies Corporation. All rights reserved.

The word Intermec, the Intermec logo, Norand, ArciTech, CrossBar, Data Collection Browser, dcBrowser, Duratherm, EasyCoder, EasyLAN, Enterprise Wireless LAN, EZBuilder, Fingerprint, i-gistics, INCA (under license), InterDriver, Intermec Printer Network Manager, IRL, JANUS, LabelShop, Mobile Framework, MobileLAN, Nor\*Ware, Pen\*Key, Precision Print, PrintSet, RoutePower, TE 2000, Trakker Antares, UAP, Universal Access Point, and Virtual Wedge are either trademarks or registered trademarks of Intermec Technologies Corporation.

Throughout this manual, trademarked names may be used. Rather than put a trademark (™ or ®) symbol in every occurrence of a trademarked name, we state that we are using the names only in an editorial fashion, and to the benefit of the trademark owner, with no intention of infringement.

There are U.S. and foreign patents pending.

# Contents

- Introducing the EasyLAN 10i2 Adapter..... 5
- Physical Description ..... 6
- Out of the Box ..... 8
- Installing the EasyLAN 10i2 Adapter..... 8
  - Connecting the EasyLAN 10i2 Adapter to  
Your Network..... 8
  - Printing a Test Label ..... 10
  - Downloading the IP Address ..... 10
- Managing and Configuring the EasyLAN 10i2  
Adapter ..... 12



## Introducing the EasyLAN 10i2 Adapter

The external EasyLAN™ 10i2 Ethernet adapter (P/N 072885) and the internal EasyLAN 10i2 Ethernet adapters (P/N 072894 and P/N 072884) let you share your available printer resources with everyone connected to your Ethernet network. Throughout the guide, “EasyLAN 10i2 adapter” is used to refer to both the internal and external adapter unless otherwise specified.

You can only connect the **external** EasyLAN 10i2 adapter to these printers:

- EasyCoder 91\*
- EasyCoder 301/E4\*
- EasyCoder 401\* and 401LL\*
- EasyCoder 501\*, 501E\*, 501S\*, and 501XP
- EasyCoder C4, PC4, and PC41
- EasyCoder 601XP
- EasyCoder 4630\*
- EasyCoder 7421, PC41, and 7422\*
- ColorCoder 901/V4\*

\* These printer models require an external power supply to run the EasyLAN 10i2 adapter.

You can connect either the **external** or the **internal** EasyLAN 10i2 adapter (P/N 072894) to these printers:

- EasyCoder 3240
- EasyCoder 3400D and earlier and EasyCoder 3440
- EasyCoder 3600



**Note:** To connect the external adapter, the printers must have the parallel port option installed.

You can connect the **internal** EasyLAN 10i2 adapter (P/N 072884) to these printers:

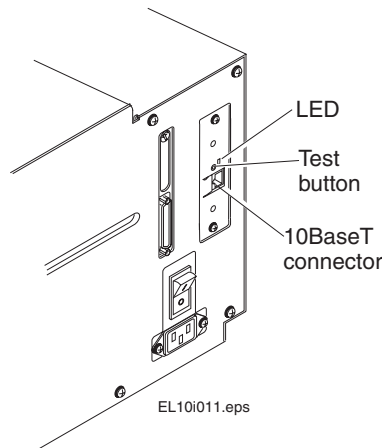
- EasyCoder 3400e
- EasyCoder 4420 and 4440



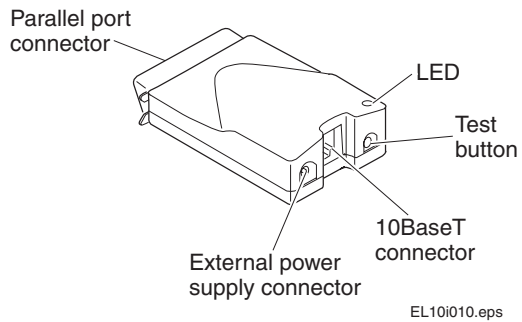
**Note:** If you are using the internal EasyLAN 10i2 adapter, you cannot use the parallel port.

The EasyLAN 10i2 adapter uses a 10BaseT connection, which has a network speed of 10 Mbps.

## Physical Description



**Internal EasyLAN 10i2 Adapter**



**External EasyLAN 10i2 Adapter**

### Connectors, LED, and Button Table

Part	Description
10BaseT connector	Connects the EasyLAN 10i2 adapter to a 10 Mbps Ethernet network via a 10BaseT cable.
External power supply connector (external adapter only)	Connects the external EasyLAN 10i2 adapter to a power source via a power supply.
Parallel port connector (external adapter only)	Provides the external EasyLAN 10i2 adapter with a single high-speed parallel port that can connect directly, without the need of cabling, to an Intermec printer with a parallel port installed.
LED	The LED provides information on power-up diagnostics and network activity.
Test button	<p>Use the Test button to:</p> <ul style="list-style-type: none"><li>• Print a test label that shows some of the EasyLAN 10i2 adapter's settings. Printers that do not use the Intermec Printer Language (IPL) or Direct Protocol (DP), such as the EasyCoder 91, 7422, C4, or PC4 or the ColorCoder V4, cannot print a test label.</li><li>• Reset the EasyLAN 10i2 adapter's settings to the factory default settings.</li></ul> <p>For more help, see "Printing a Test Label" on page 10.</p>

## Out of the Box

Your printer with the EasyLAN 10i2 adapter installed comes with the following:

- PrinterCompanion™ CD-ROM, which includes the *EasyLAN 10i2 Ethernet Adapter User's Manual* (P/N 072889) in PDF format and the Intermec print monitor
- This guide and *Important EasyLAN 10i2 Information!*

## Installing the EasyLAN 10i2 Adapter

Before you install the EasyLAN 10i2 adapter, make sure that you have the appropriate Ethernet cable and power cable. Also make sure that you have loaded media and ribbon into the printer. For help, see the quick start guide for your printer.

## Connecting the EasyLAN 10i2 Adapter to Your Network

This section explains how to physically connect the internal EasyLAN 10i2 adapter or the external EasyLAN 10i2 adapter to your network.

### To connect the internal EasyLAN 10i2 adapter

- 1 Connect one end of a 10BaseT cable to the 10BaseT connector on the adapter.
- 2 Connect the other end of the 10BaseT cable to an Ethernet port for your network.

### To connect the external EasyLAN 10i2 adapter

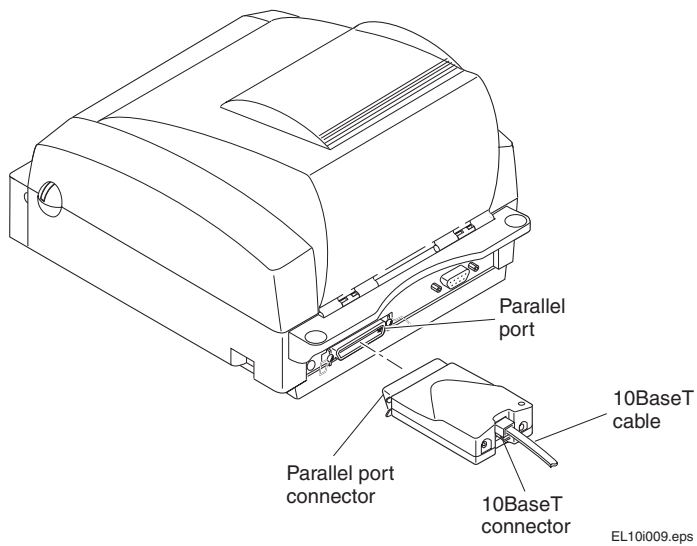


**Note:** Although you can connect the external adapter to many different Intermec printers, the illustrations in the next procedure show the 7421.

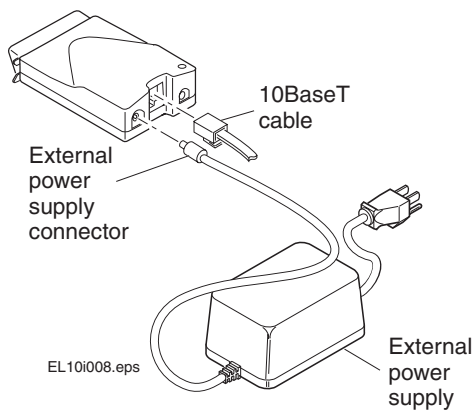
- 1 Note the MAC address found on the underside of the EasyLAN 10i2 adapter. You need this address during the configuration.



- 2 Turn off the printer.
- 3 Plug the parallel port connector on the adapter into the parallel port on the printer.



- 4 Connect one end of a 10BaseT cable to the 10BaseT connector on the adapter.
- 5 Connect the other end of the 10BaseT cable to an Ethernet port for your network.
- 6 If necessary, plug in the external power supply.



- 7 Turn on the printer. The LED on the adapter flashes and then turns off.

When you turn on the printer with the EasyLAN 10i2 adapter, the adapter runs through a set of power-up diagnostics for a few seconds. If the adapter is operating properly, the LED blinks momentarily and then turns off. The LED blinks whenever there is networking activity.

If you have a DHCP (Dynamic Host Configuration Protocol) server on your network, the EasyLAN 10i2 adapter receives its TCP/IP settings, including an IP address, when you plug in the adapter and turn on the printer. You are now ready to print to your printer. If you want to print a test label or set a static IP address for the EasyLAN 10i2 adapter, see the next two sections.

## Printing a Test Label

After the LED turns off, print a test label to make sure that the EasyLAN 10i2 adapter is working. The test label shows the current Ethernet and network settings of the adapter.



**Note:** Printers that do not use the Intermecc Printer Language (IPL) or Direct Protocol (DP), such as the EasyCoder 91, 901, 7422, C4, or PC4 or the ColorCoder V4, cannot print a test label.

### To print a test label

- Insert a small, straightened paper clip into the **Test** button, and press and release the **Test** button.

## Downloading the IP Address

If you have a DHCP server on your network, the EasyLAN 10i2 adapter automatically connects to the server and receives its TCP/IP settings, including its IP address. If you do not have a DHCP server or if you want to configure a static IP address, you can use ARP (Address Resolution Protocol) to assign an IP address to the adapter.

### To download the IP address from a Windows-based PC

- 1 Start a DOS<sup>®</sup> window.
- 2 Type the following command:

```
arp -s nnn.nnn.nnn.nnn nn-nn-nn-nn-nn-nn  
ping nnn.nnn.nnn.nnn  
arp -d nnn.nnn.nnn.nnn
```

where:

*nnn.nnn.nnn.nnn* is the IP address for the EasyLAN 10i2 adapter.

*nn-nn-nn-nn-nn-nn* is the MAC address for the EasyLAN 10i2 adapter.

### To download the IP address from a UNIX host

- Type the following command:

```
arp -s host_name nn:nn:nn:nn:nn:nn temp  
ping host_name
```

where:

*host\_name* is the name mapped to the EasyLAN 10i2 adapter's IP address. The default name is INTERMEC\_*nnnnnn*, where *nnnnnn* is the last six digits of the MAC address.

*nn:nn:nn:nn:nn:nn* is the MAC address for the EasyLAN 10i2 adapter.

The host will return INTERMEC\_0B766F is alive or a similar message. This message indicates that the address has been set and communications established.

When you execute the PING command for the first time, you may experience a longer response time than is usual.

The ARP command can vary between different UNIX systems. Berkeley System Distribution (BSD) type systems expect the host name and node address in reverse order. Furthermore, IBM AIX<sup>®</sup> systems require the additional argument *ether*.

## Managing and Configuring the EasyLAN 10i2 Adapter

If you want to manage or configure more advanced parameters on the EasyLAN 10i2 adapter, you can use the following tool:

- Web browser interface. You can access the web browser interface by typing the IP address for the EasyLAN 10i2 in either Internet Explorer or Netscape. For help, see the *EasyLAN 10i2 Ethernet Adapter User's Manual*.

You can also use the Intermec print monitor to create a network port for the Ethernet link on a Windows 95/98 system. The print monitor is available on the PrinterCompanion CD-ROM. For help installing the print monitor and setting up the Ethernet link, see the *EasyLAN 10i2 Ethernet Adapter User's Manual*.



6001 36th Avenue West  
Everett, Washington 98203  
U.S.A.

**tel** 425.348.2600

**fax** 425.355.9551

[www.intermec.com](http://www.intermec.com)

© 2004 Intermec Technologies  
Corporation. All rights reserved.

EasyLAN 10i2 Ethernet Adapter Quick Start Guide



P/N 072890-002