

***TM-T88II/T88III***

**Technical reference  
guide**

English

405227700

**EPSON**



**Cautions**

- ❑ No part of this document may be reproduced, stored in a retrieval system, or transmitted in any form or by any means, electronic, mechanical, photocopying, recabing, or otherwise, without the prior written permission of Seiko Epson Corporation.
- ❑ The contents of this document are subject to change without notice. Please contact us for the latest information.
- ❑ While every precaution has been taken in the preparation of this document, Seiko Epson Corporation assumes no responsibility for errors or omissions.
- ❑ Neither is any liability assumed for damages resulting from the use of the information contained herein.
- ❑ Neither Seiko Epson Corporation nor its affiliates shall be liable to the purchaser of this product or third parties for damages, losses, costs, or expenses incurred by the purchaser or third parties as a result of: accident, misuse, or abuse of this product or unauthorized modifications, repairs, or alterations to this product, or (excluding the U.S.) failure to strictly comply with Seiko Epson Corporation’s operating and maintenance instructions.
- ❑ Seiko Epson Corporation shall not be liable against any damages or problems arising from the use of any options or any consumable products other than those designated as Original EPSON Products or EPSON Approved Products by Seiko Epson Corporation.

**Trademarks**

EPSON® and ESC/POS® are registered trademarks of Seiko Epson Corporation.

**ESC/POS™ Command System**

EPSON has been taking industry's initiatives with its own POS printer command system (ESC/POS). ESC/POS has a large number of commands including patented ones. Its high scalability enables users to build versatile POS systems. The system is compatible with all types of EPSON POS printers and displays. Moreover, its flexibility make it easy to upgrade in the future. The functionality and the user-friendliness is valued from around the world.

***Revision History***

Rev.	Page	Details of Change
Rev. A	All pages	Newly authorized

---

## **For Safety**

### **Key to Symbols**

The symbols in this manual are identified by their level of importance, as defined below. Read the following carefully before handling the product.

#### **WARNING:**

*You must follow warnings carefully to avoid serious bodily injury.*

#### **CAUTION:**

*Provides information that must be observed to prevent damage to the equipment or loss of data.*

- Possibility of sustaining physical injuries.*
- Possibility of causing physical damages.*
- Possibility of causing information loss.*

#### **Note:**

*Provides important information and useful tips on handling the equipment.*

## Warnings

### **WARNING:**

- ❑ *Shut down your equipment immediately if it produces smoke, a strange odor, or unusual noise. Continued use may lead to fire or electric shock. Immediately unplug the equipment.*
- ❑ *Only disassemble this product as described in this manual. Do not make modifications to the unit. Tampering with this product may result in injury, fire, or electric shock.*
- ❑ *To avoid risk of electric shock, do not set up this product or handle cables during a thunderstorm in order.*
- ❑ *Be sure to use the specified power source. Connection to an improper power source may cause fire or shock.*
- ❑ *Never insert or disconnect the power plug with wet hands. Doing so may result in severe shock.*
- ❑ *Do not allow foreign matter to fall into the equipment. Penetration by foreign objects may lead to fire or electric shock.*
- ❑ *If water or other liquid spills into this equipment, turn off the power supply switch and unplug the power cable immediately. Continued usage may lead to fire or electric shock.*
- ❑ *Do not place multiple loads on power outlet. Overloading the outlet may lead to fire. Always supply power directly from a standard 100 VAC domestic power outlet.*
- ❑ *Handle the power cable with care. Improper handling may lead to fire or electric shock.*
  - *Do not modify or attempt to repair the cable.*
  - *Do not place any heavy object on top of the cable.*
  - *Avoid excessive bending, twisting and pulling.*
  - *Do not place the cable near heating equipment.*
  - *Check that the plug is clean before plugging it in.*
  - *Be sure to push the plug all the way in.*

## Cautions

### **CAUTION:**

- ❑ *Be sure to set this equipment on a firm, stable horizontal surface. Product may break or cause injury if it falls.*
- ❑ *Do not use in locations subject to high humidity or dust levels. Excessive humidity and dust may cause equipment damage, fire or shock.*

- ❑ *Do not place heavy objects on top of this equipment. Never stand or lean on this equipment. Equipment may fall or collapse, causing breakage and possible injury.*
- ❑ *To ensure safety, unplug this equipment prior to leaving it unused for an extended period.*
- ❑ *Parts on the circuit board may become hot during operation. Wait approximately 10 minutes after turning the power off before touching them.*
- ❑ *To avoid injury, take care not to insert fingers or any part of the hand in the roll paper opening where the manual cutter is installed.*
- ❑ *Do not open the roll paper cover without taking the necessary precautions, as this can result in injury from the autocutter fixed blade.*
- ❑ *A needle for supplying ink to the printer is located inside the ink cartridge holder. Inserting your fingers inside the ink cartridge holder may cause an injury.*

---

## **Modular Connectors**

The printer uses the modular connectors specifically designed for the cash drawer or customer display. Do not connect these connectors to an ordinary telephone line.

## **About this Manual**

This manual describes the TM-T88III, a current EPSON thermal printer product.

This manual also describes the TM-T88II, an obsolete product, for the purpose of supporting legacy systems. The TM-T88II has been replaced by the newer TM-T88III. However, even though the TM-T88II is no longer being sold, it is still in use by customers.

In addition, the power supply that was originally available for the TM-T88II printer, the PS-170, is obsolete and no longer available. It is described only for legacy support. The currently available power supply, the PS-180, works with either printer model.

## **Aim of the Manual**

This manual was created to provide all the information necessary for system planning, design, installation, and application of the printer for designers and developers of POS system.

## **Manual Content**

The manual is made up of the following sections:

Chapter 1	Product Overview
Chapter 2	Setup
Chapter 3	Application Development Information
Chapter 4	ESC/POS Command-related Information
Chapter 5	Product Specifications
Appendix A	Interfaces and Connectors
Appendix B	Options and Consumables
Appendix C	Character Code Tables
Appendix D	TM-T88II/TM-88III Comparison Table

## **Related Software and Documents**

Documents relating to the TM-T88II/TM-T88III are listed below.

<b>Name of document</b>	<b>Description</b>
TM-T88II User's Manual TM-T88III User's Manual	Provides information to enable POS operators to use the TM-T88II/TM-T88III safely and correctly. This manual is packed in the box with the printer.*
ESC/POS Application Programming Guide	Provides detailed ESC/POS command information. Contact us to obtain this guide.
TM-T88II/T88III Technical Reference Guide	This guide.*
EPSON OPOS ADK	This is an OCX driver.*

Name of document	Description
EPSON OPOS ADK Manual	Provides information for anyone who is programming using OPOS. This is included in the EPSON OPOS ADK.*
EPSON Advanced Printer Driver	This is a Windows driver.*
EPSON Advanced Printer Driver Manual	Provides information for anyone who is programming using the APD (EPSON Advanced Printer Driver). This is included in the EPSON Advanced Printer Driver.*

\* You can obtain these items from one of the following URLs:

For customers from North America: <http://pos.epson.com/>

For customers from other countries: <http://epson-pos.com/>

Select the product from the "Select any product" pull-down menu.



---

# Contents

Revision History .....	i
For Safety .....	ii
Key to Symbols .....	ii
Warnings .....	iii
Cautions .....	iii
Modular Connectors .....	iv
About this Manual .....	v
Aim of the Manual .....	v
Manual Content .....	v
Related Software and Documents .....	v
<i>Chapter 1 Product Overview</i>	
Product Structure .....	1-1
Model .....	1-1
Accessories .....	1-1
Options .....	1-1
Consumable products .....	1-1
TM-T88II/TM-88III Comparison Table .....	1-2
Part Names and Basic Operation .....	1-3
Part Names .....	1-3
Control Panel .....	1-3
Power Switch .....	1-4
Connectors .....	1-5
Handling the Printer .....	1-5
Installing and Replacing Roll Paper .....	1-6
Power Switch Cover .....	1-7
Shipping Procedures .....	1-8
<i>Chapter 2 Setup</i>	
Installing the Printer .....	2-2
Precautions for Horizontal Installation .....	2-2
Precautions for Wall Installation .....	2-2
Setting the DIP Switches .....	2-2
DIP Switch Positions and Steps for Changing DIP Switch Settings .....	2-2
DIP Switch Functions .....	2-3
Adjusting the Roll Paper Near-End Detector .....	2-7
Connecting the Printer to the Host Computer .....	2-8
Serial Interface Connection .....	2-8
Parallel Interface Connection .....	2-11
USB Interface Connection .....	2-11
Ethernet Interface Connection .....	2-13
Connecting Power Supply Unit and Cash Drawer .....	2-15
Connecting the Power Supply Unit .....	2-15
Connecting the Drawer Kick-out Cable .....	2-16
Installing the Driver .....	2-16
<i>Chapter 3 Application Development Information</i>	
Introducing the Control Methods .....	3-1
Windows Driver (EPSON Advanced Printer Driver) .....	3-1
EPSON OPOS ADK .....	3-3

ESC/POS Commands .....	3-5
Various Utilities .....	3-6
Switches and Buttons .....	3-6
Paper FEED Button .....	3-6
Panel LEDs and Error Status .....	3-7
Power LED .....	3-7
No Roll Paper (PAPER OUT) LED .....	3-7
Error LED .....	3-7
Sensors .....	3-10
Paper Sensors .....	3-10
Printer Cover Sensor .....	3-10
Offline .....	3-11
Busy State .....	3-11
NVRAM (Non-volatile Memory) .....	3-12
Bar Code Printing .....	3-12
Operating Mode (Switch Panel Operation) .....	3-13
Self-test Mode .....	3-13
FAQ List .....	3-14
Q: Why has my print data dropped out? .....	3-14
Q: Why does the drawer kick-out not operate properly? .....	3-15
Q: I cannot print part of Page 0 in Visual Basic. Why? .....	3-15
 <b>Chapter 4 ESC/POS Command-related Information</b>	
NV Memory (Non-volatile Memory) .....	4-1
Using NV Memory .....	4-1
Printer Status .....	4-2
Precautions When the Printer Is Offline .....	4-2
Outputting Hex Dumps .....	4-2
 <b>Chapter 5 Product Specifications</b>	
Product Specifications (TM-T88II/TM-T88III) .....	5-1
Print Specifications (TM-T88II/TM-T88III) .....	5-2
Character Specifications (TM-T88II/TM-T88III) .....	5-3
Paper Specifications (TM-T88II/TM-T88III) .....	5-3
Printable Area (TM-T88II/TM-T88III) .....	5-4
Print Position versus Cutter Position (TM-T88II/TM-T88III) .....	5-5
Overview of External Dimensions (TM-T88II/TM-T88III) .....	5-6
External Dimensions .....	5-6
Operating Specifications (TM-T88II/TM-T88III) .....	5-7
 <b>Appendix A Interfaces and Connectors</b>	
RS-232 Serial Interface .....	A-1
Interface Board Specifications (RS-232-compliant) .....	A-1
Functions of each Connector Pin .....	A-2
XON/XOFF .....	A-2
Code .....	A-3
IEEE 1284 Parallel Interface .....	A-3
Modes .....	A-3
Interface Signals .....	A-5
 <b>Appendix B Options and Consumables</b>	
Roll Paper .....	B-1
Power Supply .....	B-1
PS-170 .....	B-1
PS-180 .....	B-2

**Appendix C Character Code Tables**

Page 0 (PC437: USA, Standard Europe) .....	C-1
Page 1 (Katakana) .....	C-2
Page 2 (PC850: Multilingual) .....	C-3
Page 3 (PC860: Portuguese) .....	C-4
Page 4 (PC863: Canadian-French) .....	C-5
Page 5 (PC865: Nordic) .....	C-6
Page 16 (WPC1252) (TM-T88III only) .....	C-7
Page 17 (PC866: Cyrillic #2) (TM-T88III only) .....	C-8
Page 18 (PC852: Latin2) (TM-T88III only) .....	C-9
Page 19 (PC858: Euro) .....	C-10
Page 255 (Blank Page) .....	C-11
International Character Set .....	C-12

**Appendix D TM-T88II/TM-88III Comparison Table**



## Chapter 1

# Product Overview

---

The TM-T88III thermal printer product is currently available from EPSON. The TM-T88II is an obsolete product, which is described here for the purpose of supporting legacy systems. In addition, the PS-170, the power supply for the TM-T88II printer, also is obsolete and no longer available. It is described only for legacy support. The currently available power supply, the PS-180, works with either printer model.

### 1.1 Product Structure

#### 1.1.1 Model

- ❑ Product Name            TM-T88III (current product)/TM-T88II (legacy product)
  - Print method:        Thermal line printing
  - Interface specifications:
    - Serial interface specifications (RS-232C)
    - Parallel interface specifications (IEEE 1284-compliant)
    - USB interface specifications
    - Ethernet interface specifications
  - Paper width specifications:
    - 80 mm {3.15"} width specifications
    - 58 mm {2.28"} width specifications

#### 1.1.2 Accessories

- ❑ Printer (body)
- ❑ Roll paper (outer diameter 50 mm {2"}) × 1
- ❑ User's manual × 1
- ❑ Power switch cover × 1
- ❑ External power supply unit model: PS-180 (TM-T88III: packaged power supply)
- ❑ Power cable model: AC-170 for PS-170. (The PS-170 and TM-T88II are no longer being sold.)

#### 1.1.3 Options

- ❑ External power supply unit
  - Model PS-170 (This option has been replaced by the PS-180, which works for both printers.)
  - Model PS-180 (\*1) (PS-180 supports the power-saving feature.)

- ❑ Power cable (model: AC-170) (\*1)

(\*1) The power supply unit and power cable may not come packaged with the TM-T88III. Purchase these separately, if necessary. (The PS-170 power supply has been replaced by the PS-180 and is no longer being sold.)

### 1.1.4 Consumable products

- ❑ Specified paper: Thermal paper

### 1.1.5 TM-T88II/TM-88III Comparison Table

Table 1-1 Differences between the TM-T88II and TM-T88III

	TM-T88III (current model)	TM-T88II (legacy model)
1. High-speed print mode	Approx. 150 mm/s (4.72") maximum	Approx. 120 mm/s (4.72") maximum
2. High-speed power consumption mode	Average approx. 1.8 A	Average approx. 1.7 A
3. Serial interface selectable baud rates	4800, 9600, 19200, 38400, (2400 discontinued, 38400 added).  38400 is selected by setting DIP SW1-7 and 1-8 to ON. (See "DIP Switch Functions" (page 2-3).)	2400, 4800, 9600, 19200
4. Conditions for canceling receive buffer BUSY state *	Set with DIP SW2-5 *	Cannot be changed.
5. Supported character sets (extended graphics)	11 pages including WPC 1252, PC866 (Cyrillic #2), PC852 (Latin2))	8 pages
6. Driver (EPSON OPOS ADK, Advanced Printer Driver)	Also can be operated by the driver for the TM-T88II. Functions, however, are restricted as follows: • Some baud rates cannot be used in serial communications (38400 bps, 2400 bps). <b>Note:</b> The driver cannot set a 38400 bps baud rate. Selecting a 2400 bps baud rate with the driver will cause garbled characters (the printer does not support a 2400 bps baud rate).	—

\* For details on the conditions for canceling the receive buffer BUSY state, refer to "DIP Switch Functions" (page 2-3).

## 1.2 Part Names and Basic Operation

### 1.2.1 Part Names

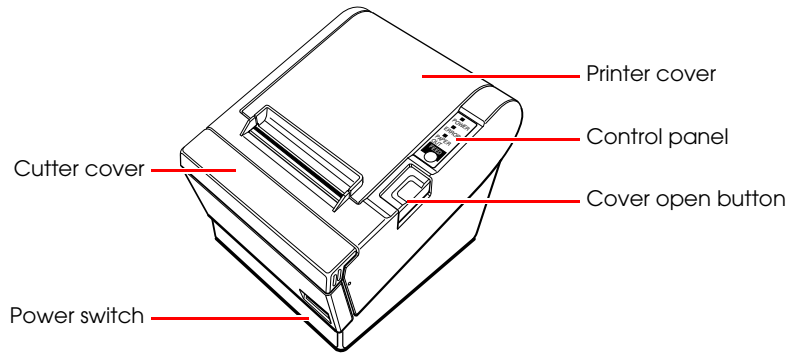


Figure 1-1 Printer part names

\* For details on DIP switch settings, refer to “DIP Switch Positions and Steps for Changing DIP Switch Settings” (page 2-2).

### 1.2.2 Control Panel

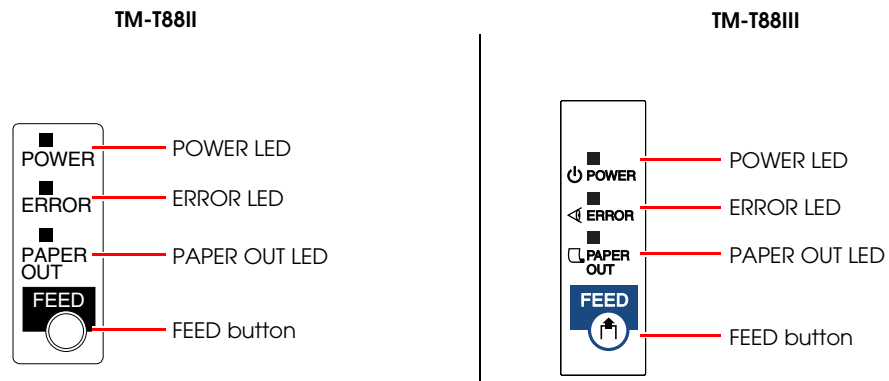


Figure 1-2 Control panels for the TM-T88II (legacy model) and TM-T88III (current model)

### 1.2.2.1 LED

#### **POWER LED (green)**

- ❑ Lights when the power supply is on.
- ❑ Goes out when the power supply is turned off.

#### **ERROR LED**

Lights or flashes when the printer is offline.

- ❑ Lights after the power is turned on or after a reset (offline). Automatically goes out after a while to indicate that the printer is ready.  
Lights when the end of the roll paper is detected, and when printing has stopped (offline). If this happens, replace with new roll paper.
- ❑ Flashes when an error occurs. (For details about the flash codes, refer to “Error Codes” (page 3-8).)
- ❑ Goes out during regular operation (online).

#### **PAPER OUT LED**

- ❑ Lights when there is no more roll paper or there is little remaining.
- ❑ Goes out when there is a sufficient amount of roll paper remaining.
- ❑ Flashes when a self-test is in progress or when the printer waits for a macro execution.

### 1.2.2.2 Buttons

#### **PAPER FEED button**

Pressing this button once feeds the roll paper by one line. Holding this button down feeds the roll paper continuously.

### 1.2.3 Power Switch

The power switch is located at the bottom right front of the printer. (Refer to “Printer part names” (page 1-3).)

Turn the printer on or off. The marks on the switch (0 = on / 1 = off) indicate the printer switch position.



#### **CAUTION:**

*Before turning on the printer be sure to check that the AC adapter is connected to the power supply.*



### 1.2.4 Connectors

All cables are connected to the connector panel on the lower rear of the printer.

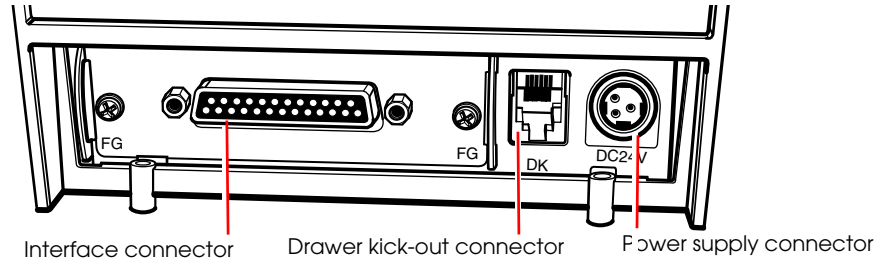


Figure 1-3 Connector panel

- ❑ Drawer kick-out connector for connecting the cash drawer
- ❑ Power supply connector for connecting the power supply unit
- ❑ Interface connector to connect the printer to the host computer interface (serial, parallel, etc.)

 **Note:**

The picture above shows a serial interface model. For details on the various interfaces and how to connect the power supply connector and cash drawer, see “Connecting Power Supply Unit and Cash Drawer” (page 2-15) and “Connecting the Printer to the Host Computer” (page 2-8).

## 1.3 Handling the Printer

### **WARNING:**

Do not open the printer cover during printing. Doing so may damage the printer.

Do not touch the manual cutter with your hands when installing or replacing roll paper. The manual cutter is sharp and may cause an injury.

#### 1.3.1 Selecting Paper Width

The customer can select either 58 mm {2.28"} or 80 mm {3.15"} paper. This option is performed at the factory by installation of a spacer, as shown below.

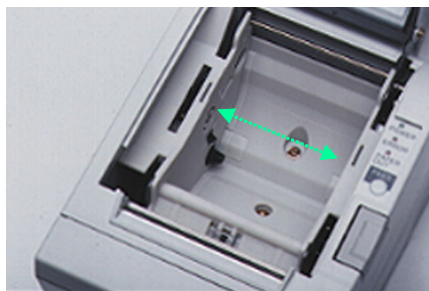


Figure 1-4 Paper spacer

### 1.3.2 Installing and Replacing Roll Paper



**Note:**

Be sure to use roll paper that meets printer specifications. See Appendix B for details on the paper specifications.

Do not use roll paper whose trailing end is glued to the roll paper core.

#### 1.3.2.1 Installing Roll Paper

1. Make sure the host has not sent a printing command to the printer, and press the cover open button to open the printer cover. If the printer cover does not open, a probable cause is that the autocutter is locked. If this happens, refer to “Paper jam.”

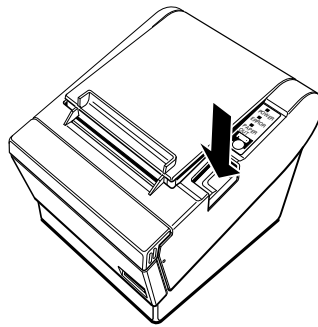


Figure 1-5 Cover open button

2. Load the roll paper.

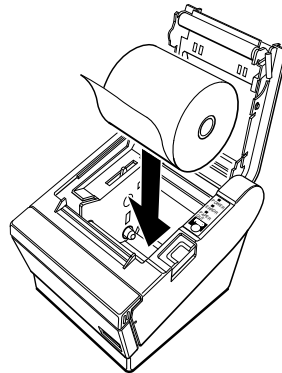


Figure 1-6 Loading paper



**Note:**

When loading the roll paper, pay attention to the direction that the roll paper is fed out of the printer.

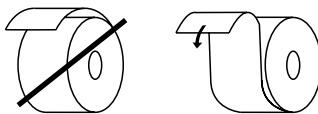


Figure 1-7 Paper direction

3. Pull out the roll paper toward you.
4. Close the printer cover.

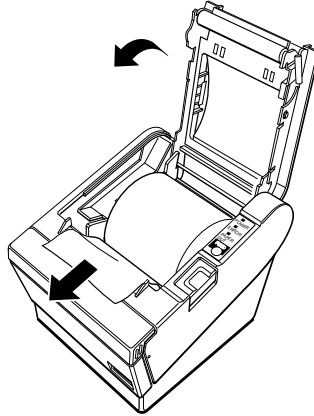


Figure 1-8 Closing the printer cover

5. Tear off the leading edge of the roll paper using the manual cutter.

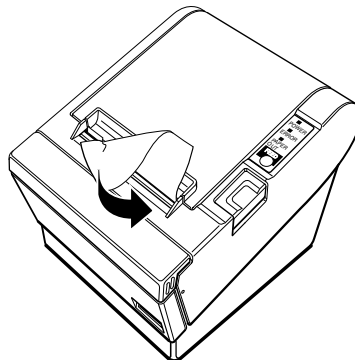


Figure 1-9 Tear off paper

### **1.3.2.2 Replacing Paper**

Follow the procedure below to replace roll paper.

1. Open the printer cover, and remove the core of the previously used roll paper.
2. Insert the new roll paper following the procedure in “Installing Roll Paper” (page 1-6).

### **1.3.3 Power Switch Cover**

Install the power switch cover that comes with the TM-T88II/TM-T88III onto the printer to prevent inadvertent changing of the power switch, to prevent tampering, and to improve the appearance of the printer.

To reset the TM printer when the power switch cover is installed, insert a long, thin object (such as the end of a paper clip) into the hole in the power switch cover and press the power switch.

### **1.3.4 Shipping Procedures**

Do the following before shipping the printer.

1. Press the power switch to turn the power off.
2. Make sure the POWER LED is out.
3. Remove the power supply connector.
4. Pack the printer, keeping the top and bottom correctly oriented.

## Chapter 2

### Setup

Before using the printer, you need to make various settings to increase the printer's functionality. Configure the printer appropriately depending on the environment.

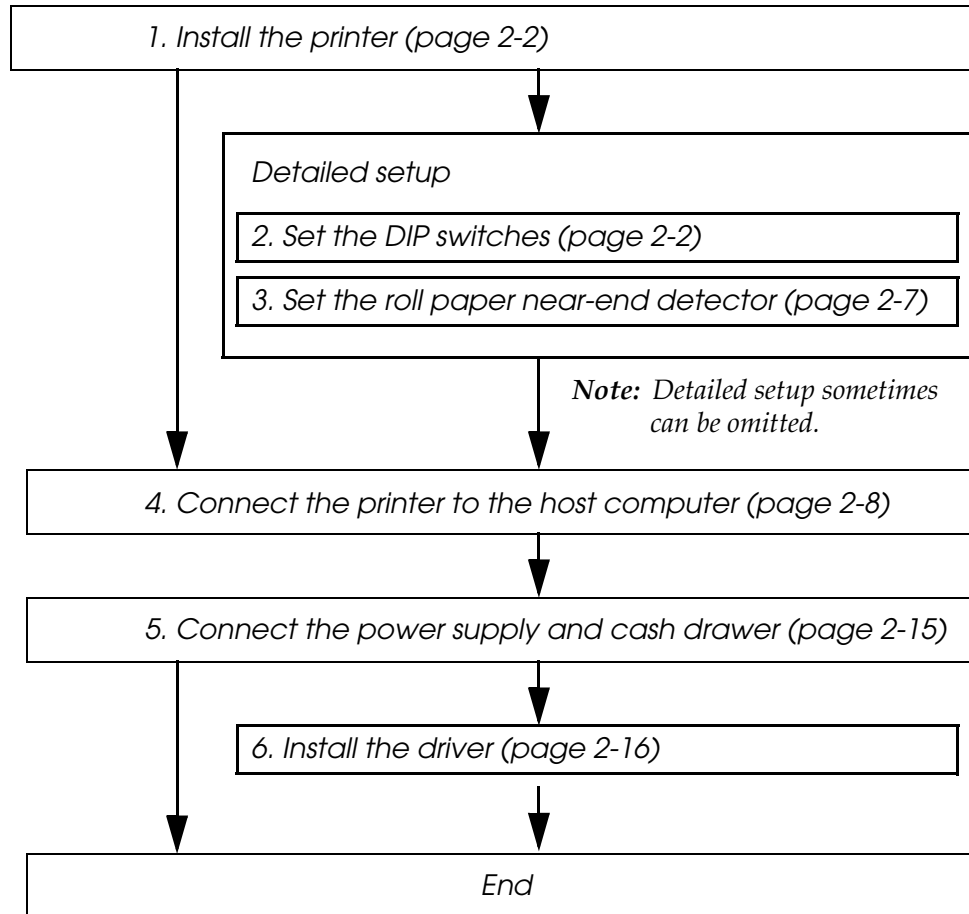


Figure 2-1 Setup flowchart

## **2.1 Installing the Printer**

In addition to regular horizontal installation, the printer can be hung on a wall using the optional WH-10 Wall Hanging Bracket Set.

### **2.1.1 Precautions for Horizontal Installation**

- ❑ Install the printer in a flat, horizontal position.
- ❑ Avoid locations susceptible to dust and other foreign matter.
- ❑ Be sure to avoid bumping so that the printer is not exposed to strong impact during operation.
- ❑ Avoid placing the printer on top of the power supply or other cables or other objects.

### **2.1.2 Precautions for Wall Installation**

- ❑ Make the following settings on the printer when you hang it on a wall. For details, refer to the installation manual provided with the optional WH-10 Wall Hanging Bracket Set.
  - Install the roll paper stopper
  - Adjust of near-end detector
  - Install the WH-10
- ❑ For other details, refer to the installation manual provided with the optional WH-10 Wall Hanging Bracket Set option.

## **2.2 Setting the DIP Switches**

On this printer, you can make various settings with DIP switches.



**Note:**

*Serial interface communication conditions must be set on serial interface model printers.*

### **2.2.1 DIP Switch Positions and Steps for Changing DIP Switch Settings**

Follow the steps below to change the DIP switch settings.



### **CAUTION:**

*Before you remove the DIP switch cover, turn the printer off. Otherwise, a short-circuit may cause the printer to malfunction.*

1. Make sure the power supply for the printer is turned off.

2. Unscrew the screw to remove the DIP switch cover from the base of the printer.

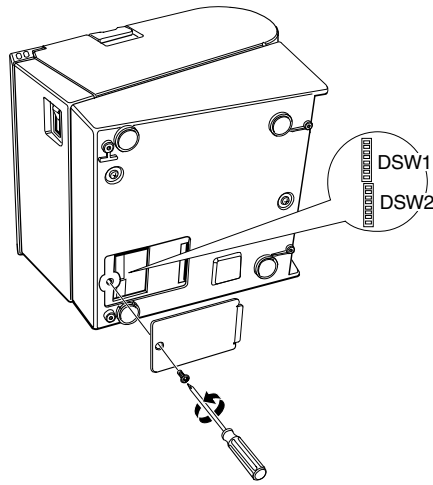


Figure 2-2 Removing the DIP switch cover

3. Set the DIP switches as desired, using the tip of a tool, such as a small screwdriver.
4. Attach the DIP switch cover, and screw in place.



**Note:**  
New DIP switch settings are enabled after the printer is turned on.

## 2.2.2 DIP Switch Functions

The DIP switch functions depend on your printer's interface specifications.

### 2.2.2.1 DIP switch settings for serial interface specifications

Note that the functions of DIP SW1-7, 1-8, and 2-5 differ on the TM-T88II and TM-88III. (The functions of other DIP switch settings are the same.)



\* Factory setting

Table 2-1 Switch bank 1 settings

SW	Function	ON	OFF
1-1	Data receive error	Ignore	"?" is printed *
1-2	Receive buffer size	45 bytes	4KB *
1-3	Handshake	XON/XOFF	DTR/DSR *
1-4	Bit length	7 bits	8 bits *
1-5	Parity check	Yes	No *
1-6	Parity selection	Even	Odd *
1-7, 1-8	Baud rate selection (See the "Baud rate selection" tables below. (Note that the settings differ on the TM-T88II and TM-88III.))		

For details on DIP SW1-2: Receive buffer size, also refer to DIP SW2-5: Cancellation of receive buffer full BUSY state.

Table 2-2 Baud rate selection (DIP SW1-7, 1-8)

TM-T88II			TM-T88III		
Baud rate (BPS)	Switch no.		Baud rate (BPS)	Switch no.	
	1-7	1-8		1-7	1-8
2400	ON	ON	38400	ON	ON
4800	OFF	ON	4800	OFF	ON
9600 *	ON	OFF	9600 *	ON	OFF
19200	OFF	OFF	19200	OFF	OFF

Table 2-3 Switch bank 2 settings

SW	Function	ON	OFF
2-1	Handshake (BUSY) conditions	Receive buffer full	Printer offline or receive buffer full *
2-2	Reserved (do not change setting)	Fixed to OFF	
2-3, 2-4	Print density selection/low-power mode	(See separate table.)	
2-5	Conditions for canceling receive buffer BUSY state	(See separate table.)	
2-6	Reserved (do not change setting)	Fixed to OFF	
2-7	Pin # 6 reset signal	Used	Not used *
2-8	Pin # 25 reset signal	Used	Not used *

For details on DIP SW2-1: BUSY conditions, also refer to "Busy State" (page 3-11).

Table 2-4 Print density selection (DIP SW2-3, 2-4)

Level	Print density	Switch No.	
		2-3	2-4
—	Low-power mode	ON	ON
1	Regular print density *	OFF	OFF
2	↕	ON	OFF
3	Heavy print density	OFF	ON

Table 2-5 Conditions for canceling receive buffer BUSY state (DIP SW2-5)

TM-T88II		TM-T88III	
Conditions to cancel receive buffer BUSY state	Switch No.	Conditions to cancel receive buffer BUSY state (enabled only when DIP SW1-2 is OFF)	Switch No.
	2-5		2-5
BUSY state canceled when 26 bytes or more remain in receive buffer	Fixed to OFF	BUSY state canceled when 138 bytes remain in receive buffer	ON
		BUSY state canceled when 256 bytes * remain in receive buffer	OFF





**Note:**

With the TM-T88III, the DIP SW2-5 setting is enabled only when DIP SW1-2 is set to OFF and the receive buffer is set to 4KB.

With the older TM-T88II model, be sure to set DIP SW2-5 to OFF before use. Otherwise, the printer may no longer function correctly.

When the TM-T88II is used or when the TM-T88III is used with DIP SW1-2 set to ON, the BUSY state is canceled when “26 bytes remaining in receive buffer” are reached, regardless of DIP SW2-5 setting.

Do not change the settings of DIP SW2-2 and SW2-6. Otherwise, the printer may no longer function correctly.

**2.2.2.2 DIP switch settings for other interface specifications**

The following DIP switch functions are for parallel interface/USB/Ethernet model printers.



**Note:**

\* Factory setting

Table 2-6 Parallel/USB/Ethernet DIP switch bank 1

SW	Function	ON	OFF
1-1	Automatic line feed	Enabled at all times	Disabled at all times *
1-2	Receive buffer size	45 bytes	4KB *
1-3, 1-8	Not defined (Always use printer with these switches set to OFF.)	—	— *

Table 2-7 Parallel/USB/Ethernet DIP switch bank 2

SW	Function	ON	OFF
2-1	Handshake (BUSY conditions)	• Receive buffer full	• Offline * • Receive buffer full
2-2	Reserved (do not change setting)	Fixed to OFF	
2-3, 2-4	Print density selection/low-power mode	(See separate table.)	
2-5	Conditions for canceling receive buffer BUSY state	(See separate table.)	
2-6, 2-7	Reserved (do not change setting)	Fixed to OFF	
2-8	Pin #31 reset signal (do not change setting)	Fixed to ON	

DIP SW2-1: For details on the BUSY condition, also refer to “Busy State” (page 3-11).

Table 2-8 Selection of print density

Level	Print density	Switch no.	
		2-3	2-4
1	Low-power mode	ON	ON
2	Regular print density *	OFF	OFF
3	↕	ON	OFF
4	Heavy print density	OFF	ON

Table 2-9 Conditions for canceling receive buffer BUSY state

TM-T88II		TM-T88III	
Conditions to cancel receive buffer BUSY state	Switch no.	Conditions to cancel receive buffer BUSY state (enabled only when DIP SW1-2 OFF)	Switch no.
	2-5		2-5
BUSY state canceled when 26 bytes or more remain in receive buffer	Fixed to OFF	BUSY state canceled when 138 bytes remain	ON
		BUSY state canceled when 256 bytes remain *	OFF



**Note:**

With the TM-T88III, the DIP SW2-5 setting is enabled only when DIP SW1-2 is set to OFF and the receive buffer is set to 4KB.

With the TM-T88II, be sure to set DIP SW2-5 to OFF before use. Otherwise, the printer may no longer function correctly.

When the TM-T88II is used or when TM-T88III is used with DIP SW1-2 set to ON, the BUSY state is canceled when "26 bytes remaining in receive buffer" are reached regardless of the setting of DIP SW2-5.

Do not change the settings of DIP SW2-2 and SW2-6. Otherwise, the printer may no longer function correctly.

### 2.3 Adjusting the Roll Paper Near-End Detector

Below are two situations where a roll paper NE detector adjustment is required.

- ❑ To adjust the detection position to suit the diameter of the roll paper core used.
- ❑ To adjust the detection position of remaining amount of paper.

 **Note:**

Since roll paper cores vary slightly in shape, depending on paper roll design and manufacturing tolerances, it is impossible to detect the remaining paper exactly. Use roll paper with a core inner diameter of 12 mm {0.47"} and outer diameter of 18 mm {0.71"} so that the NE detector can detect the remaining paper as accurately as possible.

Follow the procedure below to adjust the roll paper NE detector position.

1. Open the roll paper cover, and remove the roll paper.
2. Loosen the adjustment screw fastening the detector, and align the upper edge of the positioning plate with the adjustment position. Adjustment positions are as follows:

Adjustment position	Remaining amount of roll paper (outer diameter: mm)
Upper	Approx. 27
Lower	Approx. 23

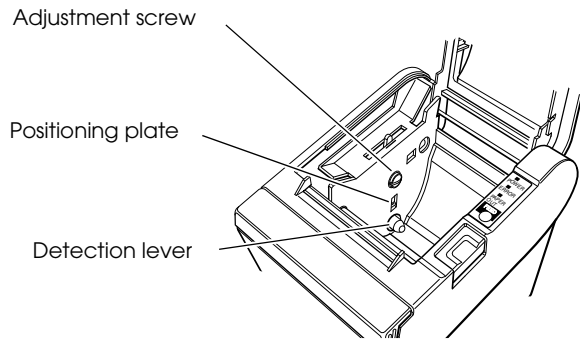


Figure 2-3 NE detector positions

 **Note:**

The adjustment screw is set to the lower position before shipment.

3. Tighten the adjustment screw.
4. After adjustment, make sure that the detection lever operates smoothly.
5. Load the roll paper.
6. Close the roll paper cover.

## 2.4 Connecting the Printer to the Host Computer

### 2.4.1 Serial Interface Connection

#### 2.4.1.1 Cross cable wiring diagrams

The wiring selections for available serial cross cables are as follows:

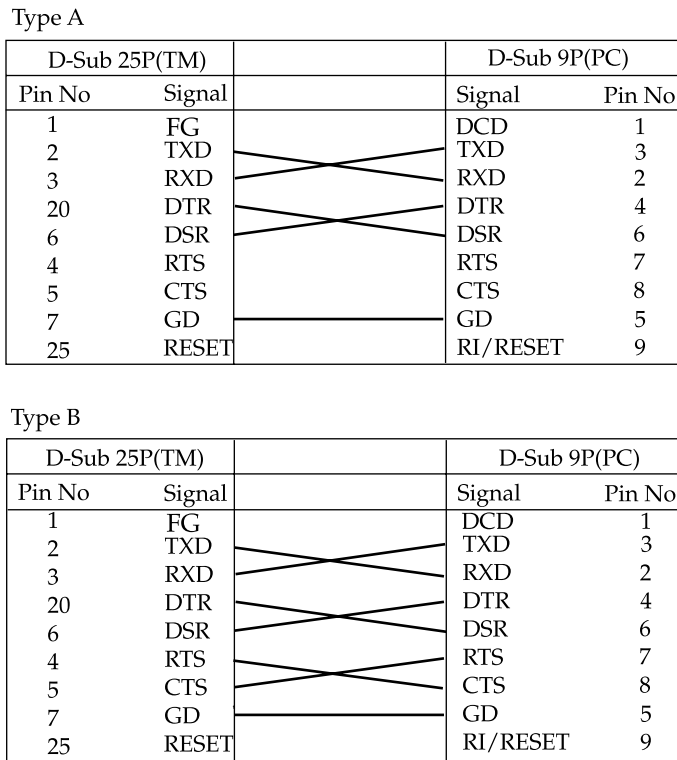


Figure 2-4 Cross cable diagrams

The cable needed depends on printer control and handshake method. You can operate the TM printer with a Windows driver, OPOS, or ESC/POS commands. XON/XOFF, DTR/DSR, or RTS/CTS are available as handshake controls. For details on available cables for each connection form, refer to "Section 2.4.1.2, Serial interface connection diagrams."

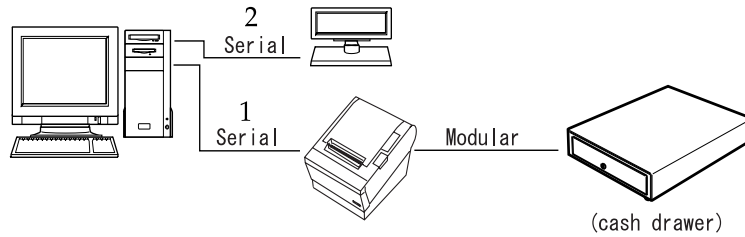
#### 2.4.1.2 Serial interface connection diagrams

When the TM printer is connected to a host computer by the serial interface, the following two connection forms are possible:

- Stand alone
- Pass-through connection

**Stand alone**

Both the TM printer and DM-D are connected to the host computer directly via the serial port.

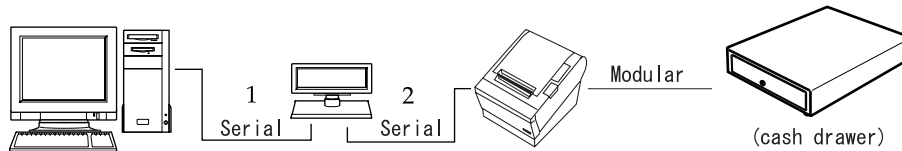


Application control		XON/XOFF (except OPOS)	DTR/DSR (DOS, OPOS, Visual C)	RTS/CTS (DOS, Windows driver, Visual C, Visual Basic MSComm)
TM side control setting				
XON/XOFF	1	Type A or B	—	—
	2	DM-D500: A, B Other DM-D: not possible	—	—
DTR/DSR	1	—	Type A or B	Type B
	2	—	Type A or B	Type B

Figure 2-5 Configuration of stand-alone connection

**Pass-through connection**

The host computer is connected to the TM printer over the serial interface via DM-D.



Application control		XON/XOFF (except OPOS)	DTR/DSR (DOS, OPOS, Visual C)	RTS/CTS (DOS, Windows driver, Visual C, Visual Basic MSComm)
TM side control setting				
XON/XOFF		Not possible	—	—
DTR/DSR	1	—	Type A or B	Type B
	2	—	Type A or B	Type A or B

Figure 2-6 Configuration of pass-through connection

### 2.4.1.3 Connecting the serial interface (RS-232) cable

#### **WARNING:**

Be sure to turn off the power supply for both the printer and host computer before connecting the cables.

1. Insert the interface cable connector firmly into the interface connector on the connector panel.
2. When using connectors equipped with screws, tighten them to secure the connectors firmly.

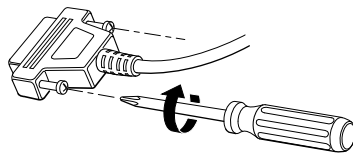


Figure 2-7 Tighten screws

#### **Note:**

The printer comes with hex-head screws with inch-threaded holes installed. When using an interface cable with metric-thread screws, use a hexagonal screwdriver (5 mm) to replace the installed screws with hex-head screws with metric-threaded holes, also supplied.

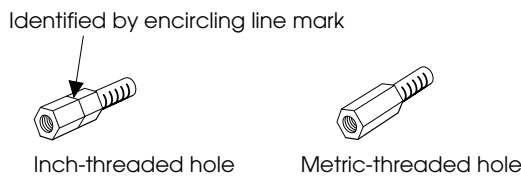


Figure 2-8 Hex-head screws threaded in inches and millimeters

3. When using interface cables equipped with a ground line, attach the ground line to the screw hole marked “FG” on the printer.
4. Connect the other end of the interface cable to the host computer.

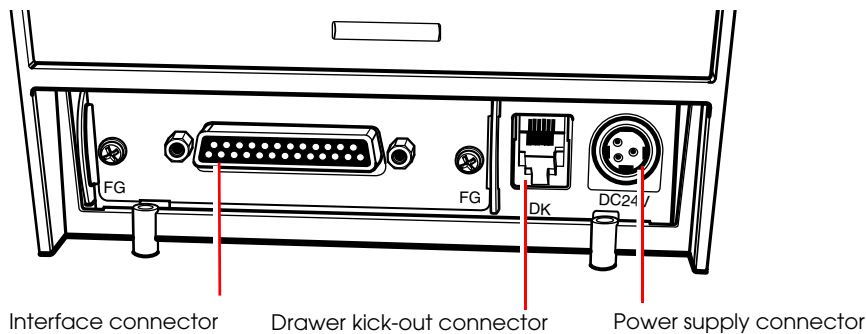


Figure 2-9 Printer connectors

## 2.4.2 Parallel Interface Connection

The parallel interface model TM printer is connected to the host computer via the parallel port. When a customer display (DM-D) is to be connected, connect the TM printer to the host computer via the serial port.

### 2.4.2.1 Parallel interface connection diagram

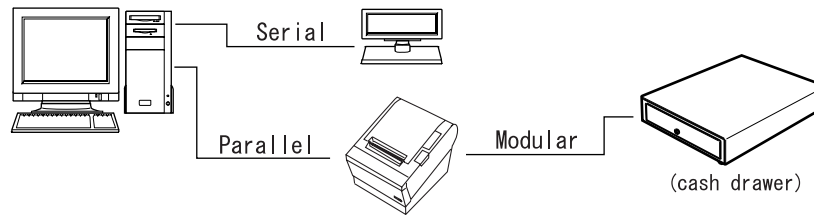


Figure 2-10 Parallel interface connection

### 2.4.2.2 Connecting the parallel interface cable

1. Insert the interface cable connector firmly into the interface connector on the connector panel.
2. Press down the clips on either side of the connector to lock it in place.
3. When using interface cables equipped with a ground line, attach the ground line to the screw hole marked "FG" on the printer.
4. Connect the other end of the interface cable to the host computer.

## 2.4.3 USB Interface Connection

Connect the TM printer to the host computer with a USB cable. A second TM printer can be connected via a self-powered USB hub from a printer connected to the host computer.

 **Note:**

A customer display (DM-D) can be connected to a USB model TM-T88II/T88III by the exclusive modular cable (RJ-45). When connecting the customer display, connect the modular jack from the customer display to the DM connector (refer to "Installing the locking wire saddle" (page 2-12)).

When connecting the customer display to a USB model TM-T88II/T88III, set the communication conditions of the customer display as follows:

- Baud rate: 19200 bps
- Bit length: 8-bit
- Parity: no parity
- Stop bit: 1

### 2.4.3.1 USB Interface Connection Diagram

Example:

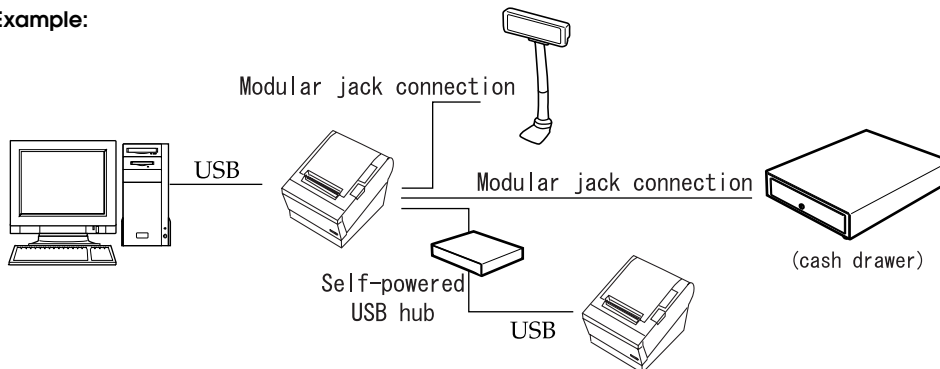


Figure 2-11 USB connection

### 2.4.3.2 Connecting the USB interface cable

1. Attach the locking wire saddle at the location shown in the figure below.
2. Put the USB cable through the locking wire saddle as shown in the figure below.



**Note:**

Putting the USB cable through the locking wire saddle, as shown in the figure below, prevents the cable from coming unplugged.

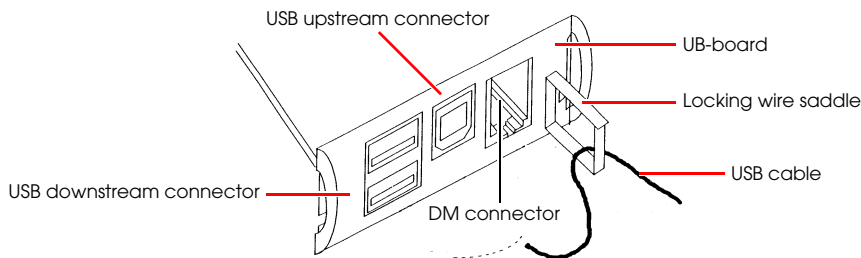


Figure 2-12 Installing the locking wire saddle

3. Connect the USB cable from the host computer to the USB upstream connector.
4. Up to 2 USB devices can be connected to a USB model TM-T88III/T88III by using 2 USB downstream connectors.



**Note:**

The hub installed in a USB model connector panel is a bus-power-supply hub. It is important to note that bus-power-supply hubs (including other USB model TM printers) and bus-power-supply functions with a current consumption of 100 mA or more cannot be connected directly to the printer.



To use USB model TM printers, the TM printer driver (EPSON OPOS ADK or advanced printer driver) must be installed on the host computer. Get the latest driver information from one of the following URLs:

For customers from North America, go to the following web site: <http://pos.epson.com/>

For customers from other countries, go to the following web site:

<http://www.epson-pos.com/>

Select the product name from the "Select any product" pull-down menu.

For details on EPSON OPOS ADK or advanced printer driver, refer to "Introducing the Control Methods" (page 3-1).

## 2.4.4 Ethernet Interface Connection

Connect a TM printer with an Ethernet interface to a network by an Ethernet cable via a hub.

### 2.4.4.1 Ethernet Interface Connection Diagram

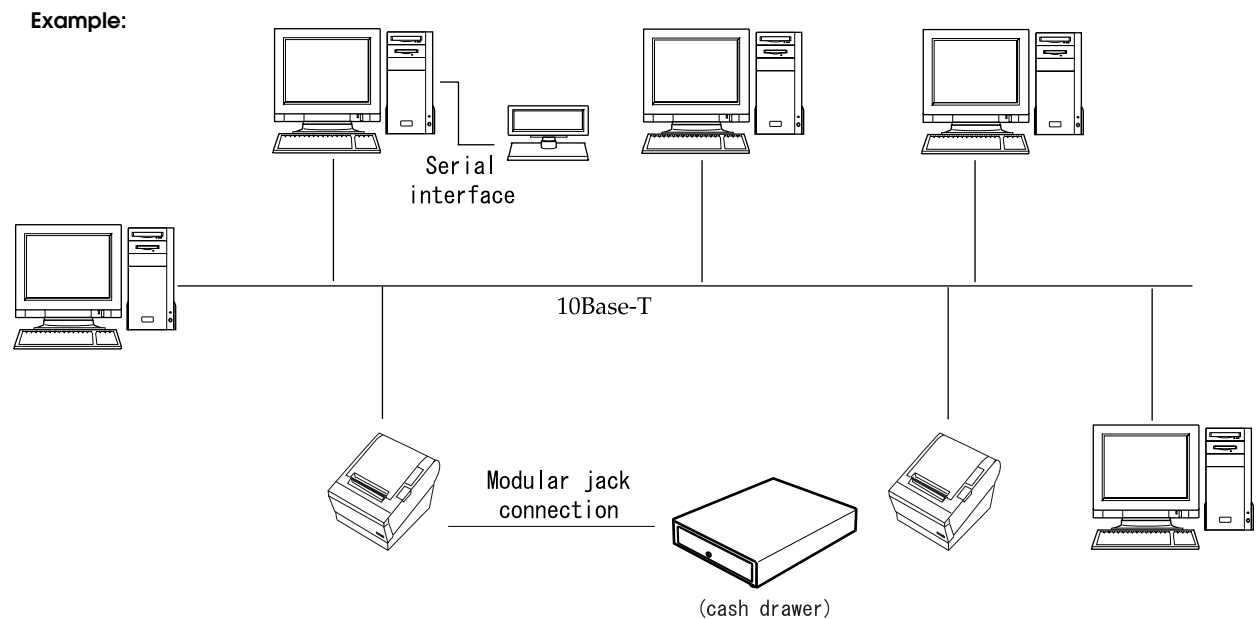


Figure 2-13 Ethernet connection

 **Note:**

When a TM printer is connected to the host computer via a network interface, a customer display (DM-D) cannot be connected to the TM printer. If a customer display must be connected, connect it to the host computer's serial interface.

### 2.4.4.2 Connecting the Ethernet Interface Cable

1. Make sure the power supplies for both the printer and host computer have been turned off.
2. For 10Base-T or 100Base-TX Ethernet, connect a 10Base-T or 100Base-TX cable to the 10Base-T/100Base-TX Ethernet connector by pressing firmly until the connector clicks into place.

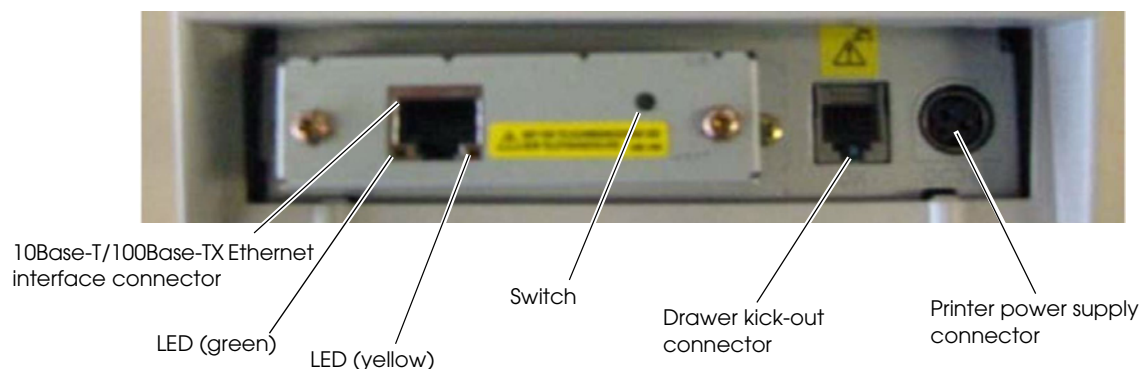


Figure 2-14 Example Ethernet port interface panel (UB-E02)

## **CAUTION:**

Connecting devices directly to LAN cables installed outdoors exposes them to damage from power surges caused by lightning and other inductive sources. Make sure devices without proper surge protection are cushioned by being connected through devices that do have surge protection. Otherwise, do not connect them to outdoor lines.

Never attempt to connect the customer display cable, drawer kick-out cable, or the standard telephone line cable to the 10Base-T/100Base-TX Ethernet connector.



### **Note:**

To use the Ethernet interface, the separate IP Address Setup Utility for the UB-E02 is required. For details on the various setup methods, refer to "UB-E02 Technical Reference Guide." You can obtain the "IP Address Setup Utility for UB-E02" and the "UB-E02 Technical Reference Guide" from one of the following URLs:

For customers from North America, go to the following web site: <http://pos.epson.com/>

For customers from other countries, go to the following web site:

<http://www.epson-pos.com/>

Select the product name from the "Select any product" pull-down menu.

Other compatible Ethernet interface modules may be available for your printer. Contact your EPSON dealer for information on the options available.

## 2.5 Connecting Power Supply Unit and Cash Drawer

Always use one of the following power supplies: the EPSON PS-180 (the currently available power supply that can be used with either the TM-T88III or the TM-T88II); the PS-170 (the legacy power supply used with the TM-T88II printer when that model printer was available); or use an equivalent product as the power supply unit.

Use the cash drawer handled by EPSON or your dealer.

### **WARNING:**

*Always use the EPSON PS-180, the preceding model, the PS-170, or an equivalent product as the power supply unit. Using a nonstandard power supply can result in electric shock and even fire.*

*Should a fault ever occur in the EPSON PS-170, PS-180, or equivalent product, immediately turn off the power to the printer and remove the power supply cable from the wall socket.*

### 2.5.1 Connecting the Power Supply Unit

1. Make sure the printer's power supply is turned off and the power supply unit's power cable has been removed from the wall socket.
2. Check the specifications label on the power supply unit to confirm that the wall socket power supply meets the rated voltage requirements.
3. Insert the connector of the power supply cable onto the power supply connector (labeled **DC24V**).

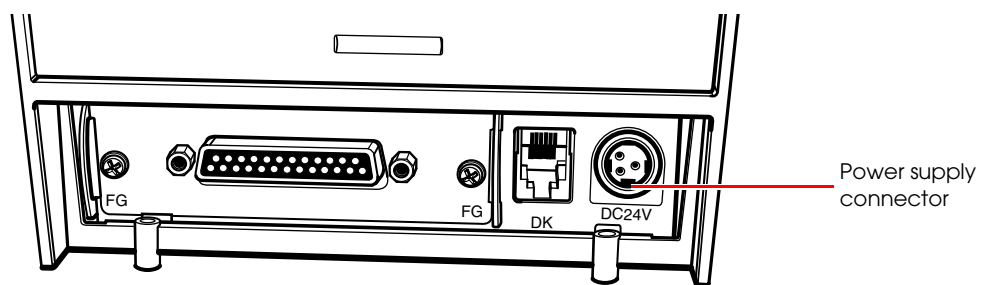


Figure 2-15 Connecting the power supply

### **CAUTION:**

*Be sure to remove the power supply unit's cable from the wall socket whenever connecting or disconnecting the power supply unit to the printer. Failure to do so may result in damage to the power supply unit or the printer.*

*Make sure the wall socket power supply satisfies the rated voltage requirements of the power supply unit. Never insert the power supply cable plug into a socket that does not meet the rated voltage requirements of the power supply unit. Doing so may result in damage to both the power supply unit and the printer.*



**Note:**

Before removing the DC cable connector from the EPSON PS-180 (current model power supply) or the PS-170 (legacy model), make sure the power supply cable has been removed from the power supply unit, then grasp the arrow-marked section of the connector and pull straight out.

## 2.5.2 Connecting the Drawer Kick-out Cable



### **WARNING:**

Prepare a drawer that meets printer specifications. Otherwise, the drawer kick-out solenoid or other parts in the drawer might burn and cause a fire. This may also cause the printer to malfunction at the same time.

Do not insert a telephone line into the drawer kick-out connector. Doing so may damage the telephone line or printer.

Connect the connector of the drawer kick-out cable to the printer.

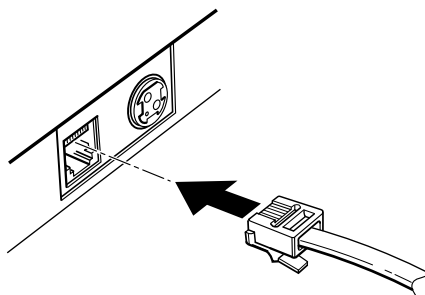


Figure 2-16 Connecting the drawer-kick cable

---

## 2.6 Installing the Driver

To use the TM printer, either the Advanced Printer Driver (APD) (Windows driver) or the EPSON OPOS ADK (OCX driver) must be installed. For an outline of each driver, refer to "Introducing the Control Methods" (page 3-1). For details on installation methods, refer to the manual for the respective driver.



**Note:**

The TM-T88III also can be operated using the driver for TM-88II. Functions, however, are restricted as follows:

- The maximum print speed is restricted to 120 mm/s {4.72"/s} or less.
- Some baud rates (38400, 2400 bps) are not available in serial communications.

ESC/POS commands are also available for directly controlling the printer without the user of a driver. For details on ESC/POS commands, also refer to "ESC/POS Commands" (page 3-5).

## Chapter 3

---

# Application Development Information

This chapter describes how to control the printer and gives information useful for printer application development.

---

### 3.1 Introducing the Control Methods

The TM printer can be controlled and can print using any of the following 3 methods.

1. Windows printer driver (EPSON Advanced Printer Driver or APD)
2. EPSON OPOS ADK
3. ESC/POS commands

Depending on the driver and interface used, the IP setup tool for the Ethernet model, USB device driver, logo printing registration utility (TMFlash logo utility), etc. are available. Get the latest information from one of the following URLs:

For customers from North America, go to the following web site: <http://pos.epson.com/>

For customers from other countries, go to the following web site:

<http://www.epson-pos.com/>

Select the product name from the "Select any product" pull-down menu.

#### 3.1.1 Windows Driver (EPSON Advanced Printer Driver)

The EPSON Advanced Printer Driver provides the TM printer with satisfactory control as a Windows driver.

##### 3.1.1.1 EPSON Advanced Printer Driver overview

EPSON Advanced Printer Driver has the following features:

- Supplies a Windows printer driver for the TM printer to enable printing from a general Windows application.
- Can execute POS printer-specific functions, such as cutting paper and opening a drawer.
- Can print printer-resident fonts by selecting the font type.
- Can get the printer status using programming languages, such as Visual Basic (VB), via status API. This uses the printer's bidirectional communication capability in the Windows standard printer driver operating environment.



**Note:**

The status API is a printer control API originally supplied by EPSON. This can be used to get the printer status and send ESC/POS commands.

### 3.1.1.2 EPSON Advanced Printer Driver contents

The installer automatically evaluates the target PC environment and automatically installs the DLL and software components necessary for operation. You can select the drivers, sample programs, and manuals to be installed.

#### ❑ Drivers

You can select the driver, based on its purpose (drivers also can be installed simultaneously), including two-color printing, smoothing, continuous printing, cutting method options, and other functions.

- Receipt: For receipt printing
- Reduce 35: Reduces A4 vertical size 35% to enable printing on 80 mm {3.15"} -wide receipts

#### ❑ Sample programs

You can install sample programs in Visual Basic and Visual C++ to use status API.

#### ❑ Manuals

The following manuals can be installed:

- User's manual (for developers)
- Engineering data for each status
- Main function control methods (for WordPad and VB)

### 3.1.1.3 EPSON Advanced Printer Driver support environment

#### ❑ Supported interfaces

- Serial, parallel, USB, Ethernet

#### ❑ Supported operating systems (with confirmation of system operation)

- Windows 95 Standard, OSR 2.5
- Windows 98 Second Edition
- Windows NT Ver. 4.0 SP5, SP6
- Windows 2000 Professional
- Windows XP Professional

*Refer to the release note for the driver for the latest information.*

#### ❑ Supported development languages

- Visual Basic
- Visual C++

#### ❑ Supported devices

*Refer to the release note for the driver for details on available equipment.*

- EPSON receipt printer

- EPSON customer display
- EPSON cash drawer

 **Note:**

A separate USB device driver is required for a USB model printer, and a separate IP setup utility is required for an Ethernet model printer. See the manual packed with the APD.

When you use the APD for the TM-T88III serial model or the TM-T88II, using TrueType fonts may slow printing down, due to the speed of communication between the printer and host computer. If this happens, we recommend using printer-resident fonts. For details on how to use resident fonts, see the user's manual for the APD.

Printing with TrueType fonts on other interfaces may have a slight influence on customer applications. In that case, use the printer-resident fonts. Because of the restrictions of some customer applications, when the APD is used with that application, resident fonts sometimes cannot be used, even if they are specified.

When OPOS is used, this problem does not arise because only the printer-resident fonts are available.

### 3.1.1.4 Driver information and download destination

Get the latest driver information from one of the following URLs:

For customers from North America, go to the following web site: <http://pos.epson.com/>

For customers from other countries, go to the following web site:

<http://www.epson-pos.com/>

Select the product name from the "Select any product" pull-down menu.

### 3.1.2 EPSON OPOS ADK

The EPSON OPOS ADK supports the development environment required for OPOS application development using OPOS Control as described by the OLE for Retail POS (simply called "OPOS" from here on) Technology Association to supply the OPOS-compliant printer driver (OCX). Use this control method to develop OPOS-compliant applications. EPSON's OPOS ADK has the following features:

- ❑ The EPSON OPOS ADK comprehensively supports the development environment required for OPOS application development at customer sites, including not only OPOS Control (CO + SO) proposed by the OPOS Association, but also the contents necessary for development, ranging from the installers and setup utilities to sample programs and manuals, and the function for getting logs for debugging, and silent installation that achieves ease of installation on a target PC.
- ❑ The EPSON OPOS ADK reduces the man-hours for application development, since it handles the following functions that application developers up till now have had to consider. The functions are supported by EPSON-original Direct IO with parameters, power-on notification, offline buffer clear processing, and so on.

 **Note:**

For details on the API functions, refer to the "Application Programmers Guide Specification" provided by the OLE POS Technology Association.

### 3.1.2.1 EPSON OPOS ADK (OPOS Control) overview

OPOS Control included with the EPSON OPOS ADK has the following features:

- ❑ Supplies the CO for each device class and SO for EPSON devices.
- ❑ Direct IO with parameters available:
  - Gets the printer maintenance counter value
  - Prints NVRAM-stored bit images, etc.
- ❑ Power-on notification function (at power on, this function automatically restores the printer to the state that was active before power off).
- ❑ Offline buffer clear processing (clears the print buffer contents in offline mode).
- ❑ Debugging function (trace function):
  - Obtains a log between the application and CO (target: used API and its return value)
  - Device status acquisition log (gets the offline and error causes that actually occurred in the devices)

### 3.1.2.2 EPSON OPOS ADK contents

The installer of the EPSON OPOS ADK, Ver. 2.10 or later, has a silent installation function, which can install the OPOS environment without a user interface and facilitate installation. With the installer, the following OPOS-compliant OPOS Control for EPSON devices, manuals, various utilities, and sample programs can be installed.

- ❑ OPOS Control for EPSON devices

Header files for CO, SO, C++, header files for VB, TLB file of CO, device information files, etc., can be installed.

- ❑ Manuals

- User's guide (environment construction manual: installation/uninstallation, usage methods for various utilities)
- Application Development Guide (manual for OPOS-compliant application developer: common manual, manual for each device)

- ❑ Various utilities

- SetUpPOS utility  
Facilitates selection of equipment and connection ports and various settings (print wait time, etc.).
- TM Flash logo utility  
Saves a bitmap file to the printer or customer display, for example.
- USB device driver  
This driver is necessary to connect a USB model printer.



- Sample programs  
Sample programs for VB, VC++ can be installed.

### 3.1.2.3 EPSON OPOS ADK support environment

- ❑ Supported interfaces
  - Serial, parallel, USB, Ethernet
- ❑ Supported OSes (with confirmation of system operation)
  - Windows 95 Standard, OSR 2.5
  - Windows 98 Second Edition
  - Windows NT Ver. 4.0 SP5, SP6
  - Windows 2000 Professional
  - Windows XP Professional

*Refer to the release note of the driver for the latest information.*

- ❑ Supported development languages
  - Visual Basic
  - Visual C++

### 3.1.2.4 Driver information and download destination

Get the latest driver information from one of the following URLs:

For customers from North America, go to the following web site: <http://pos.epson.com/>

For customers from other countries, go to the following web site:

<http://www.epson-pos.com/>

Select the product name from the “Select any product” pull-down menu.

### 3.1.3 ESC/POS Commands

To directly control the TM printer using ESC/POS commands, EPSON proposes printing/control via ESC/POS commands. The printer can be controlled directly by sending ESC/POS commands from an application to the printer. For detailed information about ESC/POS commands, please contact EPSON or your dealer.

### 3.1.4 Various Utilities

We provide the utilities described below for developers of TM printer applications. You can obtain the utilities from one of the following URLs:

For customers from North America, go to the following web site: <http://pos.epson.com/>

For customers from other countries, go to the following web site:

<http://www.epson-pos.com/>

Select the product name from the “Select any product” pull-down menu.

#### 3.1.4.1 IP address setup utility for UB-E02

This utility and its detailed manual for developers allow you to set an IP address for a 10Base-T/100Base-TX Ethernet interface installed in the TM printer. Customers who have purchased the Ethernet model TM printer need this utility.

#### 3.1.4.2 Electronic logo storage utility for NVRAM

This utility is designed to save logos (bitmaps) to NVRAM (non-volatile RAM). By storing shop logos to NVRAM, the print speed can be increased.

#### 3.1.4.3 USB interface ID code rewrite utility

This utility is designed to edit the identification code (ID) of a USB interface.



**Note:**

*Each USB model TM printer has its own ID. So, two TM-88III's can be controlled independently from a host computer. Therefore, when replacing a TM printer that has been connected to a host computer with another printer (including same model), you must change the USB port in the printer driver on the host computer. Use of this utility, for example, frees you from changing the USB port in the printer driver.*

---

## 3.2 Switches and Buttons

On this printer, you can disable or enable the paper FEED button. For details on how to switch between disabled or enabled, refer to the documentation for OPOS Advanced Printer Driver and ESC/POS commands, respectively.

### 3.2.1 Paper FEED Button

The printer feeds paper based on the line spacing set by the control method (OPOS, Advanced Printer Driver, ESC/POS commands). However, you cannot feed paper using the paper FEED button under the following conditions:

- When the roll paper cover is open.
- When performing a self-test (Press the FEED button to stop the self-test and press it again to resume it).
- When the paper FEED button has a function defined in a macro definition command (when ESC/POS commands are used).

### 3.3 Panel LEDs and Error Status

#### 3.3.1 Power LED

Table 3-1 Power LED

Item		Specifications
LED color		Green
LED states	Off	Power is not supplied.
	On	Power is supplied.

#### 3.3.2 No Roll Paper (PAPER OUT) LED

Table 3-2 No roll paper (PAPER OUT) LED

Item		Specifications
LED color		Red
LED states	Off	Roll paper is loaded.
	On	A roll paper near end or paper end is detected.
	Flashing	Self-test standby state or standby state when a macro execution command is used.



**Note:**

The macro function is available only when ESC/POS commands are used.

#### 3.3.3 Error LED

Table 3-3 Error LED

Item		Specifications
LED color		Red
On states	Off	Printer is performing regular operations or is online.
	On	Offline (excluding self-test with the paper FEED button).
	Flashing	Error state.

### 3.3.3.1 Error Codes




There are three possible error types: automatically recoverable errors, recoverable errors, and unrecoverable errors.

- ❑ For automatically recoverable errors, the user does not have to take any action. The error recovers automatically when the head temperature returns to normal or the cover is correctly closed.
- ❑ A recoverable error recovers by resetting the printer or sending a command from the driver after the cause of the error is eliminated.
- ❑ For unrecoverable errors, the printer or the power supply may be malfunctioning and must be repaired.

#### Automatically recoverable errors

Although normal printer operation is no longer possible when automatically recoverable errors occur, they do not represent printer failure. They can be recovered easily, as described below.

Table 3-4 Automatically recoverable errors

Error	Error description	Error LED flash code	Recovery measure
			
Roll paper cover open error	The roll paper cover was opened during printing.		Recovers automatically when the roll paper cover is closed.
Print head temperature error	A high temperature outside the head drive operating range was detected.		Recovers automatically when the print head cools.




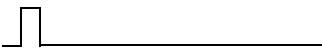
#### Note:

If the temperature cannot be detected correctly, a drive circuit error occurs.

#### Recoverable errors

Although normal printer operation is not possible after a recoverable error occurs, this is not a printer malfunction. These errors can be recovered easily by turning the power on again or sending an error recovery command from the driver after eliminating the cause of the error.

Table 3-5 Recoverable errors

Error	Error description	Error LED flash code	Recovery measure
			
Autocutter error	Autocutter does not work correctly.		Remove the jammed paper or foreign matter in the printer, close the roll paper cover, send the error recover command, or turn the power on to recover.







 **Note:**

The error recovery command is valid only if a recoverable error (excluding automatically recoverable errors) occurs. If a recoverable error occurs, the printer recovers from the error upon receipt of an error recovery command from the driver after the cause of the error is eliminated. Turning the printer's power off and on is not required.

*Unrecoverable errors*

Normal printer operation is no longer possible when unrecoverable errors occur. The printer must be repaired.

Table 3-6 Unrecoverable errors

Error	Error description	Error LED flash code 	Recovery measure
Memory R/W error	After R/W checking, the printer does not work correctly.		Impossible to recover
High voltage error	The power supply voltage is extremely high.		Impossible to recover
Low voltage error	The power supply voltage is extremely low.		Impossible to recover
CPU execution error	The CPU is executing an incorrect address.		Impossible to recover
Drive circuit error	The reaction of the drive circuit is abnormal.		Impossible to recover

 **Note:**

When an unrecoverable error occurs, turn off the power supply immediately.

---

## 3.4 Sensors

### 3.4.1 Paper Sensors

The printer has two paper sensors.

#### 3.4.1.1 Roll paper near-end sensor

The roll paper near-end sensor uses the diameter of the roll paper to detect whether the remaining paper is getting low. This sensor is located inside the roll paper supply unit, and you can fine-tune the amount of remaining paper detected by this sensor. (For details on adjustment, see page 2-7.)

Lighting of the PAPER OUT LED in a near-end state does not indicate an error. Regular printing is possible.



**Note:**

*Detection of the near-end status does not necessarily indicate the complete end of the roll paper. Use the sensor as an indication of when to replace the roll paper.*

*By changing the driver setting, a print job can be canceled automatically during the near-end status.*

#### 3.4.1.2 Roll Paper End Sensor

The roll paper end sensor detects whether there is paper in the paper path. When there is no paper (paper end status), the PAPER OUT LED and ERROR LED light to indicate an error has occurred. If the sensor detects a roll paper end, the printer stops printing, even in the process of printing. We recommend that you mainly rely on the roll paper near-end sensor and use the roll paper end sensor secondarily.

### 3.4.2 Printer Cover Sensor

#### 3.4.2.1 Roll Paper Cover Open Sensor

The cover-open sensor monitors the roll paper cover. When the sensor detects an open cover during printing, the printer stops printing immediately and automatically goes offline.

This status is treated as an automatically recoverable error, and the ERROR LED flashes. When the printer cover is closed, the ERROR LED goes out, and the printer goes online and starts printing at the beginning of the line it was printing when the cover was opened.

When the printer recovers, it feeds paper to take up slack and starts printing from the beginning of the line where the error occurred. In this case, double printing and printing position shift may occur. When a cover open error occurs, we recommend clearing the printer's print buffer by sending the error recovery command from the driver, and resending the print data.



**Note:**

*Whether the cover is open or not does not affect the status reported by the roll paper end sensor.*

### 3.4.3 Offline

This printer is not equipped with an online/offline switch. The printer automatically goes offline under the following conditions:

- During power on (including resetting with the interface) until the printer is ready
- When the printer is waiting to receive data
- During the self-test
- When the roll paper cover is open
- During paper feeding using the paper FEED button
- When the printer stops printing due to a paper-end (if an empty paper supply is detected by the roll paper end sensor or if the driver has been set to stop printing when a roll paper near-end is detected)
- When an error has occurred
- During macro executing standby status

### 3.4.4 Busy State

#### 3.4.4.1 Selecting conditions for invoking a BUSY state

With DIP SW2-1, you can select conditions for invoking a BUSY state as either of the following:

- When the receive buffer is full
- When the receive buffer is full or the printer is offline



**Note:**

*In either case above, the printer enters the BUSY state after power is turned on (including resetting with the interface), while the printer is in the standby state waiting for data, and when a self-test is being run.*

*For details on how to change the DIP switch setting for receive buffer full, see “Setting the DIP Switches” on page 2-2.*

*You do not need to change this item when using OPOS or the Advanced Printer Driver.*

Table 3-7 Printer BUSY conditions and status of DIP SW2-1

Printer status		DIP SW2-1 status	
		ON	OFF
Offline	During the period after power is turned on (including resetting with the interface) to when the printer is ready to receive data.	BUSY	BUSY
	During the self-test.	BUSY	BUSY
	When the cover is open.	—	BUSY
	During paper feed with the paper FEED button.	—	BUSY
	When the printer stops printing due to a paper-end (when printer has run out of roll paper).	—	BUSY
	When an error has occurred.	—	BUSY
When the receive buffer is full		BUSY	BUSY



**Note:**

When DIP SW2-1 is ON, the printer will not become BUSY even if printer hardware stops operating.

- When an error has occurred
- When the cover is open
- When printing has stopped for a paper out
- When paper is fed by the paper FEED button

---

### **3.5 NVRAM (Non-volatile Memory)**

NVRAM is mounted on this printer, and bitmap images (for example, business logos) or other data are written to it. Pay attention to the following when using NVRAM.

- ❑ The following restriction applies when performing operations (including storing and deleting data) in NVRAM.
  - Do not use the paper FEED button.
- ❑ The printer sometimes enters the BUSY state when data is being written to NVRAM. It is important not to send data from the host computer while the printer is in the BUSY state, because the printer cannot process any received data.
- ❑ Frequent use of the functions for writing data to and deleting data from NVRAM may damage the memory. As a rule, in using the various commands to write to NVRAM, avoid writing more than an average of ten times per day.

---

### **3.6 Bar Code Printing**

This printer can print the following types of bar codes:

UPC-A, UPC-E  
JAN 8 (EAN 8), JAN 13 (EAN 13)  
CODE 39  
ITF (Interleaved 2 of 5)  
CODABAR (NW-7)  
CODE 93  
CODE 128

To set and print each bar code, refer to the OPOS, Advanced Printer Driver, and ESC/POS command documentation, respectively.



## **3.7 Operating Mode (Switch Panel Operation)**

The printer has a self-test mode to check printer settings in addition to the regular print mode.

### **3.7.1 Self-test Mode**

In the self-test mode, the following items are checked and printed out:

- Control circuit functions
- Printer mechanism functions
- Print quality
- Control software ROM version
- DIP switch settings

Follow the steps below to start a self-test:

1. With the roll paper cover open, press and hold down the paper FEED button and turn on the printer. The printer prints various printer settings.
2. When the printer finishes printing the printer status, check whether the following message is printed:

**"SELF-TEST printing. Please press PAPER FEED button"**

The printer is now in the self-test wait mode.

3. To start a test print, press the paper FEED button while the printer is in the self-test wait mode.
4. Check that the following has been printed:

**\*\*\* completed \*\*\*"**

This indicates that the printer has been initialized and returned to the normal mode.

## **3.8 FAQ List**

Listed here are the most-asked questions (Q) and answers (A).

1. Look for information relating to your inquiry or problem in the questions.
2. Then, follow the instructions described in the "A" sentence below it.

### **3.8.1 Q: Why has my print data dropped out?**

A: Check the handshake process. Data dropout can occur when the handshake between the host computer and printer is not performed correctly. This can result in errors related to print buffer size.

#### **3.8.1.1 Corrective procedure**

1. Check the serial communication cable, and check the cable connector specifications. (See "Serial Interface Connection" on page 2-8.)
2. Check the serial communication conditions of the printer and the host.

Serial communication conditions

- Baud rate
- Parity
- Flow control
- Data length

You can check printer settings as follows:

1. Run a self-test to check the printer's serial communication conditions. (See page 3-13.)
2. Setting communication conditions using the DIP switches. Set the baud rate with DIP SW1-7 and SW1-8. (Refer to page 2-4.)

**3.8.2 Q: Why does the drawer kick-out not operate properly?**

A: Drawer specifications differ depending on the manufacturer and the part number. Make sure the specifications of the drawer to be used meet the following conditions before connecting it to the drawer kick-out connector. These conditions also apply to any other devices that use the drawer kick-out connector. Any devices that do not satisfy all the following conditions must not be used.

**Conditions**

- A load must be provided across drawer kick-out connector pins 4 and 2 or across pins 4 and 5. (\*1)
- When the drawer open/close signal is used, a switch must be provided across drawer kick-out connector pins 3 and 6. (\*2)
- The solenoid used for the cash drawer must have a resistance of 24  $\Omega$  or higher. (\*3)

**NOTES**

(\*1) Operating the printer with incorrectly installed devices voids the warranty.

(\*2) Connecting devices other than the drawer open/close switch voids the warranty.

(\*3) Using a drawer or a drawer kick-out connector with an input current of 1 A or more may cause an overcurrent, which will cause the device to malfunction.

**3.8.3 Q: I cannot print part of Page 0 in Visual Basic. Why?**

Cannot print a part of Page 0 (for example: **ā, ū, ě**) in Visual Basic.

A: Try printing using the following procedure:

When programming with Visual Basic, limitations prevent data from 81H through 9FH and from E0H through FEH from being sent as characters. However, you can use the following procedure to send this data:

```
Dim Send_data(0) As Byte
Send_data(0) = &h81 '1 byte of sending data
MSComm1.Output = Send_data
```



## Chapter 4

# ESC/POS Command-related Information

---

This chapter introduces the printer operation settings, which can be made by using ESC/POS commands, and precautions for those operation settings.

### 4.1 NV Memory (Non-volatile Memory)

The printer's NV memory can be roughly divided into three parts:

- Firmware program area
- NV memory area for product information (This area cannot be edited by the user.)
- NV memory area that the user can access

The following areas are in the NV memory that the user can access:

- NV user memory
- NV graphics memory
- User-defined character code page (page 255 (blank page))
- Area of user-defined command default values

You can customize your printer by changing these values. Note the following when writing to and deleting from NV memory.

- ❑ The following restrictions apply when performing non-volatile memory operations (including data writing and deleting).
  - Do not press the paper FEED button.
  - Do not execute a real-time command.
  - The ASB status is not sent, even when the ASB function in ESC/POS commands is set to **Enabled**.
- ❑ The printer sometimes enters the BUSY state while data is written to NV memory. It is important not to send data from the host computer while the printer is BUSY, because the printer cannot process any received data.
- ❑ Frequent use of the functions for writing data to and deleting data from NV memory may damage the memory. As a rule in using the various commands to write to NV memory, avoid writing more than an average of ten times per day.

#### 4.1.1 Using NV Memory

You can use the free area in NV memory for writing memos, for other character information, for anything you like. Data written to this area is held in the memory even if you turn off the power. For details on how to read and write data, see the "ESC/POS Application Programming Guide."

**Note:**

For details on NV graphics and NV bit images, see the “ESC/POS Application Programming Guide.”

---

## 4.2 Printer Status

There are three ways to get the printer status, and each method has the following features. For details, see the “ESC/POS Application Programming Guide.”

- **Automatic status back (ASB):**  
When a status request is processed as a regular command, the printer automatically returns a status message whenever the status changes. Always monitor the value returned.
- **Real-time status:**  
When the printer receives a real-time status command, it responds with the specified printer status. Returning the printer status takes priority over any regular print data.
- **Status:**  
The printer transmits a specified printer status in the same way it processes normal print data.

---

## 4.3 Precautions When the Printer Is Offline

When printer handshake is set with DIP SW2-1 ON (BUSY = receive buffer full), use the ASB function to check the printer status. Using the ASB lets the printer send status automatically at the time of switching online/offline. When using a real-time command, make sure the receive buffer is not full.

**Example:** After using the 4KB receive buffer to send data for each line, check the printer status.

---

## 4.4 Outputting Hex Dumps

TM printers can print data transmitted from the host computer as hexadecimal numbers and their corresponding characters. Called “hex dump mode,” this allows you to make sure that data has been sent correctly to the TM printer by comparing the printed result with the program. Follow the steps below to output a hex dump:

1. With the roll paper cover open, turn power on while holding down the paper FEED button.
2. Close the roll paper cover.
3. Data received from then on is printed out from the TM printer in hexadecimal numbers and their corresponding characters.

To quit the hex dump mode, turn the printer off after printing ends.

**Note:**

Do not use this mode when using OPOS or the APD. Doing so will cause unexpected data to be printed, because the driver uses proprietary control to drive the printer.

Chapter 5

**Product Specifications**

**5.1 Product Specifications (TM-T88II/TM-T88III)**

Table 5-1 Specifications

<b>Print method</b>	Thermal line printing
<b>Print width</b>	Standard: paper width of 80 mm — print width of 72 mm {2.84"}, 512 dot positions Factory option (with spacer): paper width of 58 mm {2.28"} — print width of 50.8 mm {2"}, 360 dot positions
<b>Cut type</b>	Partial cut (left-most one point uncut)
<b>Maximum paper thickness for the manual cutter</b>	100 µm or less
<b>Character sets</b>	TM-T88III: 95 alphanumeric, 37 international characters, 128 × 11 pages of extended graphics TM-T88II: 95 alphanumeric, 32 international characters, 128 × 7 pages of extended graphics
<b>Interface (compatible)</b>	RS-232C/bidirectional parallel Dealer option: USB, Ethernet
<b>Buffer</b>	Receive buffer: 4KB/45 bytes User-defined buffer For both downloaded bitmap images and fonts: Approx. 12KB Macro buffer: 2KB NV graphics data storage area: 256KB NV user memory: 1KB
<b>DKD function</b>	2 drives
<b>Power supply</b>	Power supplied by optional AC adapter, PS-180 or the previous adapter, the PS-170
<b>Operating voltage</b>	24 VDC ± 7%
<b>Current consumption</b>	High-speed mode Average: TM-T88II: Approx. 1.7 A TM-T88III: Approx. 1.8 A (Font A, α-N, 36 capital letters, rolling pattern, 42-column printing) Peak: Approx. 7.7 A Low-power mode Average: Approx. 1.2 A (Font A, α-N, 36 capital letters, rolling pattern, 42-column printing) Peak: Approx. 6.6 A Standby: Average: Approx. 0.2 A
<b>Temperature/humidity</b>	Operating: 5 to 45°C (41 to 113°F), 10 to 90% RH Storage: Shipped packed state -10 to +50°C (14 to 122°F), 10 to 90% RH
<b>Weight</b>	Approx. 1.8 kg {3.968 lb}

## 5.2 Print Specifications (TM-T88II/TM-T88III)

Table 5-2 Print characteristics

Characteristics	Specifications
Print method	Thermal line printing
Paper feed method	Unidirectional with friction feed
Print width	<input type="checkbox"/> 72 mm {2.84"} <input type="checkbox"/> 50.8 mm {2.28"} (factory option with paper spacer)
Characters per line	See table titled "Print width/characters per line," below.
Print speed	See table titled "Print speed," below.
Paper feed speed	TM-T88II: Approx. 120 mm/s {4.72"/s} during continuous paper feed
	TM-T88III: Approx. 150 mm/s {5.91"/s} during continuous paper feed
Carriage return width	4.23 mm or 1/6"

Table 5-3 Print width/characters per line

Paper width (mm)	Roll paper width (mm)	
	80 (standard)	58 (factory option)
Number of print dots	512	360
Print width (mm)	72 {2.84"}	50.8 {2.28"}
Font A (12 × 24) number of columns	42	30
Font B (9 × 17) number of columns	56	40
Kanji font (24 × 24) number of columns	21	15

Table 5-4 Print speed

Print control mode	Unit	Setting	Print speed (max.)	
			TM-T88II	TM-T88III
High-speed mode (*1)	mm/sec	—	120 {4.72"/s}	150 {5.91"/s}
	lps	Line space setting: 3.18 mm {1/8"}	38	47.2
	lps	Line space setting: 4.23 mm {1/6"}	28.4	35.5
Low-power mode	mm/sec	—	70 {2.76"/s}	70 {2.76"/s}
	lps	Line space setting: 4.23 mm {1/6"}	16.5	16.5
Printing ladder bar codes	mm/sec	Line space setting: 4.23 mm {1/6"}	42 {1.65"/s}	42 {1.65"/s}

lps: lines per second

\*1: During printing (at 24 V, 28°C {82.4°F}, density level 2). Note, however, the print speed automatically changes with the voltage applied to the printer and with the head temperature conditions.



**Note:**

The print speed sometimes slows down, depending on the data transfer speed and other settings.

A slow baud rate is a probable cause of intermittent printing. We recommend using a faster baud rate.



### 5.3 Character Specifications (TM-T88II/TM-T88III)

Table 5-5 Character specifications

Item		Specifications
Character type	Alphanumeric	95 character sets
	International	TM-T88III: 37 types      TM-T88II: 32 types
	Extended graphics	TM-T88III: 128 characters × 11 pages (including 1 blank page) TM-T88II: 128 characters × 7 pages (including 1 blank page)
Character configuration		See table titled "Character configurations and dimensions," below. (Default is font A.)
Character dimensions		See "Character configurations and dimensions," below. (Spaces between characters not included.)

Table 5-6 Character configurations and dimensions

	Standard	Double-height	Double-width	Double-width / Double-height
	W × H (mm)	W × H (mm)	W × H (mm)	W × H (mm)
Font A (12 × 24)	1.41 × 3.39	1.41 × 6.77	2.82 × 3.39	2.82 × 6.77
Font B (9 × 17)	0.99 × 2.40	0.99 × 4.80	1.98 × 2.40	1.98 × 4.80
Kanji font (24 × 24)	3.39 × 3.39	3.39 × 6.77	6.77 × 3.39	6.77 × 6.77

- Notes: 1. Spaces between characters not included.  
2. Characters can be scaled up to 64 times as large as the standard size.

### 5.4 Paper Specifications (TM-T88II/TM-T88III)

See Appendix B.

## 5.5 Printable Area (TM-T88II/TM-T88III)

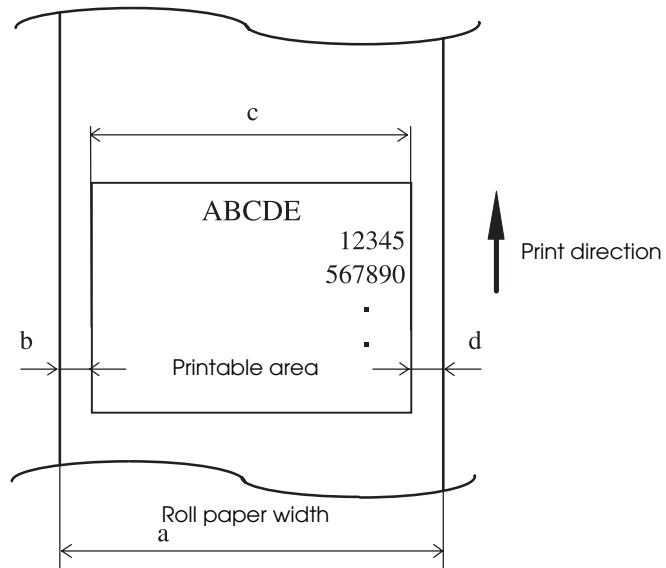


Figure 5-1 Printable area

Table 5-7 Dimensions

a (roll paper width)	b (left margin)	c (print width)	d (right margin)
79.5 ± 0.5	3.7	72.2 ± 0.2	3.7
57.5 ± 0.5 (factory option)	3.7	50.8 ± 0.2	3.0

\* Units: mm

## 5.6 Print Position versus Cutter Position (TM-88II/TM88III)

The following illustration shows the relationship between print position and cutter position.

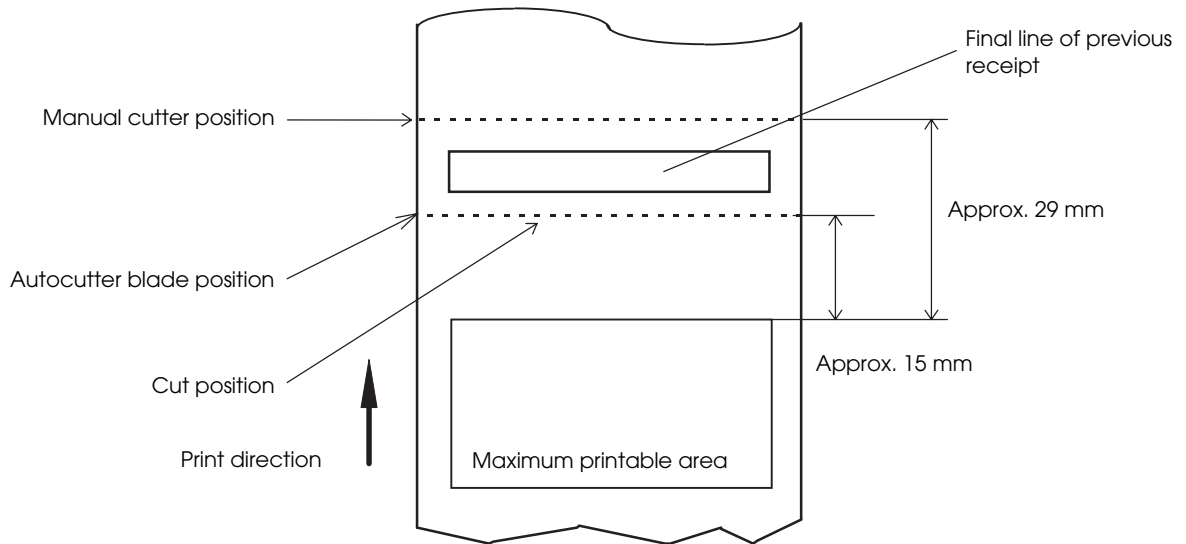


Figure 5-2 Print position versus cutter position



**Note:**

The values in the figure are center values. The margins vary, due to paper slack or paper variations from piece to piece. Allow a certain margin of error when setting the paper cutter cut position.

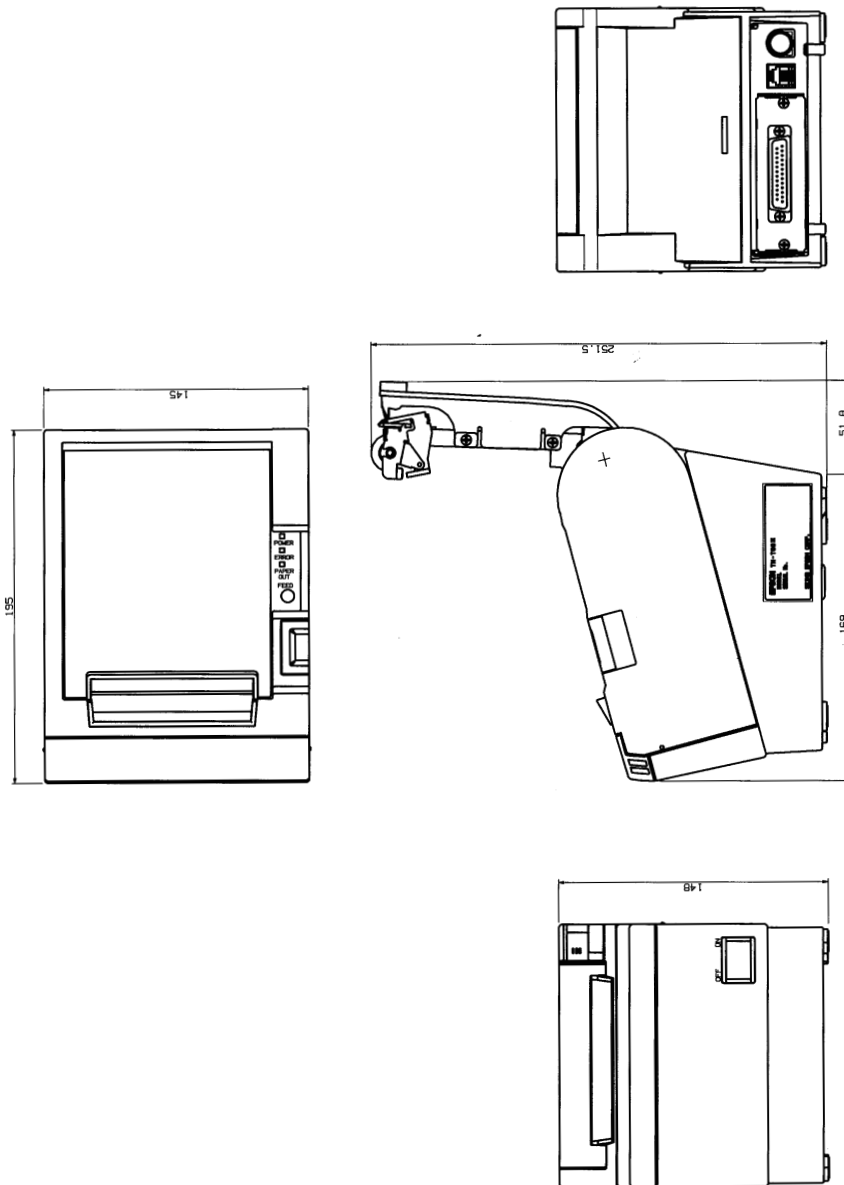
## 5.7 Overview of External Dimensions (TM-T88II/TM-T88III)

### 5.7.1 External Dimensions

The dimensions in the figure below are common to both the TM-88III and TM-88III.

- ❑ Height 148 mm {5.83"}
- ❑ Width 145 mm {5.71"}
- ❑ Depth 195 mm {7.68"}
- ❑ Weight Approx. 1.8 kg {3.97 lb} (without roll paper)

(Units: mm)



Note: The values in this dimensional drawing are reference values. They are not guaranteed ones.

Figure 5-3 Dimensions

## 5.8 Operating Specifications (TM-T88II/TM-T88III)

Table 5-8 Temperature and humidity

Item	Specifications	
Temperature/ Humidity	Operating:	5 to 45°C (41 to 113°F), 10 to 90% RH no condensation allowed. (Refer to ambient operating ranges in the figure below.)
	Storage: (shipped packed state)	-10 to +50°C (14 to 122°F), 10 to 90% RH (excluding paper)

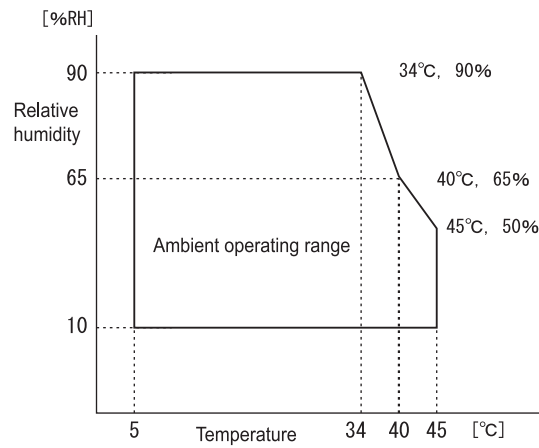


Figure 5-4



## Appendix A

# Interfaces and Connectors

### A.1 RS-232 Serial Interface

#### A.1.1 Interface Board Specifications (RS-232-compliant)

Table A-1 Serial interface specifications

Item		Specifications
Data transfer method		Serial
Synchronization		Asynchronous
Handshake		Select one of the following with DIP SW1-3: <input type="checkbox"/> DTR/DSR (DIP SW1-3 OFF) default <input type="checkbox"/> XON/XOFF (DIP SW1-3 ON)
Signal level	MARK	-3 V to -15 V logic "1" /ON
	SPACE	+3 V to +15 V logic "0" /OFF
Bit length		Select one of the following with DIP SW1-4: <input type="checkbox"/> 7 bit (DIP SW1-4 ON) <input type="checkbox"/> 8 bit (DIP SW1-4 OFF) default
Baud rate		Select one of the following with DIP SW1-7 and SW1-8: <input type="checkbox"/> 19200 bps (DIP SW1-7 OFF, DIP SW1-8 OFF) <input type="checkbox"/> 9600 bps (DIP SW1-7 ON, DIP SW1-8 OFF) default <input type="checkbox"/> 4800 bps (DIP SW1-7 OFF, DIP SW1-8 ON) <input type="checkbox"/> 2400 bps (T88ii) or 38400 bps (T88III) (DIP SW1-7 ON, DIP SW1-8 ON) (bps: bits per second)
Parity check		Select one of the following with DIP SW1-5: <input type="checkbox"/> Yes (DIP SW1-5 ON) <input type="checkbox"/> No (DIP SW1-5 OFF)
Parity selection		Select one of the following with DIP SW1-6: <input type="checkbox"/> Even (DIP SW1-6 ON) <input type="checkbox"/> Odd (DIP SW1-6 OFF)
Stop bit		1 or more bits However, the stop bit for data transfer from the printer is fixed to 1 bit.
Connector	Printer side	DSUB 25-pin (female) connector

## A.1.2 Functions of each Connector Pin

Table A-2 Pin assignments

Pin no.	Signal name	Signal direction	Function
1	FG	—	Frame ground
2	TXD	Output	Transmission data
3	RXD	Input	Reception data
4	RTS	Output	Equivalent to DTR signal (pin 20)
6	DSR	Input	This signal indicates whether the host computer can receive data. SPACE indicates that the host computer can receive data. MARK indicates that the host computer cannot receive data. When DTR/DSR control is selected, the printer transmits data after confirming this signal (except if transmitted using some ESC/POS commands). When XON/XOFF control is selected, the printer does not check this signal. Changing DIP SW2-7 lets this signal be used as a printer reset signal. When you use this signal as the printer's reset signal, the printer is reset when the signal remains MARK for a pulse width of 1 ms or more.
7	SG	—	Signal ground
20	DTR	Output	1) When DTR/DSR control is selected, this signal indicates whether the printer is Busy. SPACE status — indicates the printer is ready to receive data. MARK status — indicates the printer is Busy. Set Busy conditions with DIP SW2-1. (Refer to "Busy State" on page 3-11). 2) When XON/XOFF control is selected, the signal indicates that the printer is properly connected and ready to receive data from the host. SPACE status — indicates the printer is properly connected and ready to receive data from the host. The signal is always SPACE, except in the following cases: <ul style="list-style-type: none"> <li>• During the period from when power is turned on to when the printer is ready to receive data.</li> <li>• During the self-test.</li> </ul>
25	INIT	Input	Changing DIP SW2-8 enables this signal to be used as a reset signal for the printer. The printer is reset if the signal remains at SPACE for a pulse width of 1 ms or more.

## A.1.3 XON/XOFF

When XON/XOFF control is selected, the printer transmits the XON or XOFF signals as follows. The transmission timing of XON/XOFF differs, depending on the setting of DIP SW2-1.

Table A-3 XON/XOFF transmissions

Signal	Printer status	DIP SW2-1 status	
		1 (ON)	0 (OFF)
XON	1) When the printer goes online after turning on the power (or reset using the interface)	Transmit	Transmit
	2) When the receive buffer is released from the buffer full state	Transmit	Transmit
	3) When the printer switches from offline to online	—	Transmit
	4) When the printer recovers from an error using some ESC/POS commands	—	Transmit
XOFF	5) When the receive buffer becomes full	Transmit	Transmit
	6) When the printer switches from online to offline	—	Transmit



### A.1.4 Code

The hexadecimal numbers corresponding to the XON/XOFF codes are shown below.

- ❑ XON code: 11H
- ❑ XOFF code: 13H



**Note:**

When the printer goes from offline to online and the receive buffer is full, XON is not transmitted.

When the printer goes from online to offline and the receive buffer is full, XOFF is not transmitted.

When memory switch MSW 1-3 is off, XON is not transmitted as long as the printer is offline, even if a receive buffer full state has been cleared.

## A.2 IEEE 1284 Parallel Interface

### A.2.1 Modes

The IEEE 1284 parallel interface supports the following two modes.

Table A-4 Parallel modes

Mode	Communication direction	Other information
Compatibility mode	Host → Printer communication	Centronics-compliant
Reverse mode	Printer → Host communication	Assumes a data transfer from an asynchronous printer

### Compatibility mode

Compatibility mode allows data transmission from host to printer only: Centronics-compatible.

#### Specifications

- Data transmission: 8-bit parallel
- Synchronization: Externally supplied  $\overline{\text{STROBE}}$ \* signals
- Handshaking:  $\overline{\text{ACK}}$ \* and BUSY signals
- Signal levels: TTL-compatible connector
- Connector: ADS-B36BLFDR176 (HONDA) or equivalent product (IEEE 1284 Type B)
- Reverse communication: Nibble or byte mode

\*A rule above a signal name indicates an “L” active signal.

**Reverse mode**

The transfer of status data from the printer to the host proceeds in the nibble or byte mode.

This mode allows data transfer from an asynchronous printer under the control of the host. Data transfers in the nibble mode are made via the existing control lines in units of four bits (a nibble). In the byte mode, data transfer proceeds by making the 8-bit data lines bidirectional. Both modes fail to proceed concurrently in the compatibility mode, thereby causing half-duplex transmission.

## A.2.2 Interface Signals

Table A-5 Connector pin assignments

Pin	Source	Compatibility Mode	Nibble Mode	Byte Mode
1	Host	$\overline{\text{Strobe}}$	HostClk	HostClk
2	Host/Ptr	Data0(LSB)	Data0 (LSB)	Data0 (LSB)
3	Host/Ptr	Data1	Data1	Data1
4	Host/Ptr	Data2	Data2	Data2
5	Host/Ptr	Data3	Data3	Data3
6	Host/Ptr	Data4	Data4	Data4
7	Host/Ptr	Data5	Data5	Data5
8	Host/Ptr	Data6	Data6	Data6
9	Host/Ptr	Data7 (MSB)	Data7 (MSB)	Data7 (MSB)
10	Printer	$\overline{\text{Ack}}$	PtrClk	PtrClk
11	Printer	Busy	PtrBusy/Data3, 7	PtrBusy
12	Printer	Perror	AckDataReq/Data2, 6	AckDataReq
13	Printer	Select	Xflag/Data1, 5	Xflag
14	Host	$\overline{\text{AutoFd}}$	HostBusy k	HostBusy
15		NC	ND	ND
16		GND	GND	GND
17		FG	FG	FG
18	Printer	Logic-H	Logic-H	Logic-H
19		GND	GND	GND
20		GND	GND	GND
21		GND	GND	GND
22		GND	GND	GND
23		GND	GND	GND
24		GND	GND	GND
25		GND	GND	GND
26		GND	GND	GND
27		GND	GND	GND
28		GND	GND	GND
29		GND	GND	GND
30		GND	GND	GND
31	Host	$\overline{\text{Inif}}$	$\overline{\text{Inif}}$	$\overline{\text{Inif}}$
32	Printer	$\overline{\text{Fault}}$	$\overline{\text{DataAvail/Data0, 4}}$	$\overline{\text{DataAvail}}$
33		GND	ND	ND
34	Printer	DK_STATUS	ND	ND
35	Printer	+5V	ND	ND
36	Host	$\overline{\text{SelectIn}}$	1284-Active	1284-Active

\* NC: Not Connected

ND: Not Defined



**Note:**

*A signal name with a rule above it indicates an “L” active signal.*

*Bidirectional communications cannot take place, unless all signal names for both sides correspond to each other.*

*Connect all signal lines using a twisted-pair cable. Connect the return side to the signal ground level.*

*Make sure the signals satisfy electrical characteristics.*

*Set the leading edge and trailing edge times to 0.5  $\mu$ s or less.*

*Do not ignore  $\overline{\text{Ack}}$  or BUSY signals during a data transfer. Ignoring such signals may result in data corruption.*

*Make the interface cables as short as possible.*

## Appendix B

# Options and Consumables

### B.1 Roll Paper

The table below shows the roll paper specifications.

Table B-1 Paper specifications

<b>Type of paper</b>	Specified thermal paper	
<b>Shape</b>	Roll	
<b>Paper width</b>	Select from the following: <input type="checkbox"/> 79.5 mm ± 0.5 mm (default) <input type="checkbox"/> 57.5 mm ± 0.5 mm (factory option with spacer)	
<b>Roll core</b>	Internal diameter	12 mm {0.47"}
	Outer diameter	18 mm {0.71"}
<b>External dimensions</b>	Outer diameter	83 mm {3.27"} or less



**Note:**

If roll core standards vary from the figures above, it is difficult for the roll paper NE detector to detect the remaining amount of roll paper exactly. Use these figures merely as a guideline.

### B.2 Power Supply

The following describes the specifications for the optional power supplies (PS-170 and PS-180).

#### B.2.1 PS-170 (Legacy Model no Longer Available from the Dealer)

##### B.2.1.1 Electrical characteristics

- Input conditions
  - Input voltage (rating): 90 to 264 VAC (100 VAC -10% to 230 VAC +15%)
  - Frequency (rating): 50/60 Hz ± 3 Hz
  - Power consumption (rating): 100 VA
- Output conditions
  - Output voltage (rating): 24 VDC + 5%
  - Output current (rating): 2.0 A
  - Output electric power (rating): 48 VA
  - Output peak current: 4.5 A (within 300 msec)

##### B.2.1.2 Case specifications

- Dimensions: 80 mm (D) × 166 mm (L) × 44 mm (H) (excluding projections). {3.15 × 6.54 × 1.73"} See the figure on the next page.
- Weight: Approx. 0.52 kg {1.15 lb} (excluding the AC cable)
- Material: Durability level: V0
- Color: Black (matte)

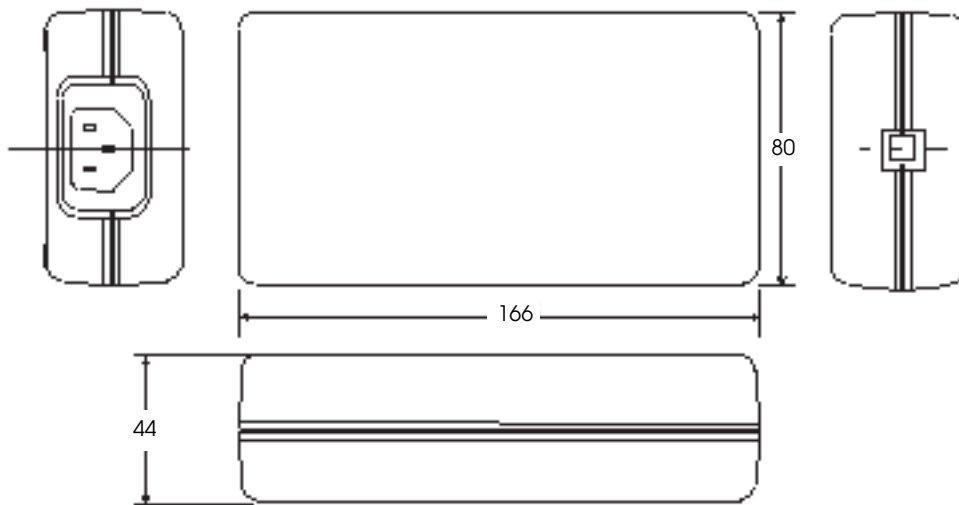


Figure B-1 Case specifications

### **B.2.1.3 Material**

No specific brominated flame retardants, such as PBBE and PBB, are used in this product.

### **B.2.1.4 AC cable selection**

- ❑ Select an AC cable that satisfies the following conditions:
  - Safety standard product
  - Plug with PE terminal
- ❑ The AC cable is not packed with this printer.

## **B.2.2 PS-180 (Current Product for Printers)**

### **B.2.2.1 Electrical characteristics**

- ❑ Input conditions
 

Input voltage (rating):	90 to 264 VAC (100 VAC -10% to 230 VAC +15%)
Frequency (rating):	50/60 Hz $\pm$ 3 Hz
Power consumption (rating):	100 VA

❑ Output conditions

Output voltage (rating):	24 VDC $\pm$ 5%
Output current (rating):	2.0 A
Output electric power (rating):	48 VA
Output peak current:	4.5 A

**B.2.2.2 Case specifications**

- ❑ Dimensions: 68 mm (D)  $\times$  136 mm (L)  $\times$  32 mm (H) (excluding projections) {2.68"  $\times$  5.35"  $\times$  1.26"} Refer to the figure below.
- ❑ Weight: Approx. 0.4 kg {14.11 oz} (excluding the AC cable)
- ❑ Material: Durability level: V0
- ❑ Color: Black (matte)

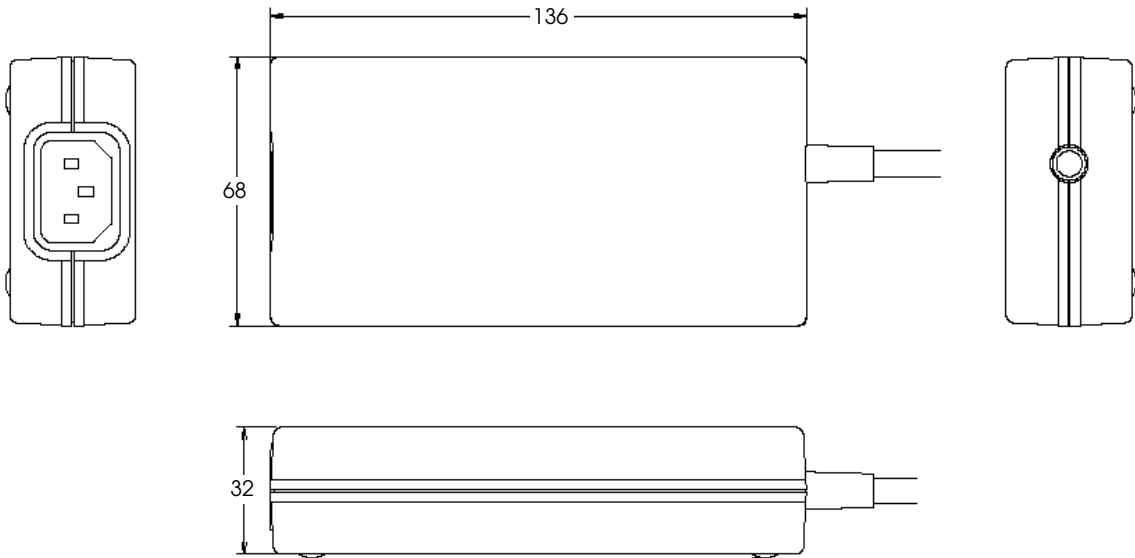


Figure B-2 Case specifications

**B.2.2.3 Material**

No specific brominated flame retardants, such as PBBE and PBB, are used in this product.

**B.2.2.4 AC cable selection**

- ❑ Select an AC cable that satisfies the following conditions.
  - Safety standard product
  - Plug with PE terminal
- ❑ Ground connection: Be sure to ground for safety.







C.2 Page 1 (Katakana)

	HEX	8	9	A	B	C	D	E	F
HEX	BIN	1000	1001	1010	1011	1100	1101	1110	1111
0	0000	┌ 128	┌ 144	SP 160	一 176	夕 192	ミ 208	二 224	× 240
1	0001	┌ 129	┌ 145	。○ 161	ア 177	チ 193	ム 209	ト 225	円 241
2	0010	┌ 130	┌ 146	「 162	イ 178	ツ 194	メ 210	≠ 226	年 242
3	0011	┌ 131	┌ 147	」 163	ウ 179	テ 195	モ 211	≠ 227	月 243
4	0100	┌ 132	┌ 148	、 164	エ 180	ト 196	ヤ 212	▲ 228	日 244
5	0101	┌ 133	┌ 149	・ 165	オ 181	ナ 197	ユ 213	▲ 229	時 245
6	0110	┌ 134	┌ 150	ヲ 166	カ 182	ニ 198	ヨ 214	▼ 230	分 246
7	0111	┌ 135	┌ 151	ア 167	キ 183	ヌ 199	ラ 215	▼ 231	秒 247
8	1000	┌ 136	┌ 152	「 168	ク 184	ネ 200	リ 216	♠ 232	〒 248
9	1001	┌ 137	┌ 153	「 169	ケ 185	ノ 201	ル 217	♥ 233	市 249
A	1010	┌ 138	┌ 154	「 170	コ 186	ハ 202	レ 218	◆ 234	区 250
B	1011	┌ 139	┌ 155	」 171	サ 187	ヒ 203	ロ 219	♣ 235	町 251
C	1100	┌ 140	┌ 156	「 172	シ 188	フ 204	ワ 220	● 236	村 252
D	1101	┌ 141	┌ 157	「 173	ス 189	ヘ 205	ン 221	○ 237	人 253
E	1110	┌ 142	┌ 158	「 174	セ 190	ホ 206	・ 222	／ 238	☼ 254
F	1111	┌ 143	┌ 159	」 175	ソ 191	マ 207	。 223	＼ 239	SP 255

**C.3 Page 2 (PC850: Multilingual)**

	HEX	8	9	A	B	C	D	E	F
HEX	BIN	1000	1001	1010	1011	1100	1101	1110	1111
0	0000	Ç 128	É 144	á 160	☒ 176	┌ 192	ð 208	Ó 224	— 240
1	0001	ü 129	æ 145	í 161	☒ 177	└ 193	Ð 209	ß 225	± 241
2	0010	é 130	Æ 146	ó 162	☒ 178	┘ 194	Ê 210	Ô 226	= 242
3	0011	â 131	ô 147	ú 163	 179	┘ 195	Ë 211	Ò 227	<sup>3</sup> / <sub>4</sub> 243
4	0100	ä 132	ö 148	ñ 164	┘ 180	— 196	È 212	õ 228	¶ 244
5	0101	à 133	ò 149	Ñ 165	Á 181	┘ 197	ı 213	Õ 229	§ 245
6	0110	å 134	û 150	a 166	Â 182	ã 198	Í 214	μ 230	÷ 246
7	0111	ç 135	ù 151	o 167	À 183	Ã 199	Î 215	b 231	· 247
8	1000	ê 136	ÿ 152	ı 168	© 184	┌ 200	İ 216	þ 232	° 248
9	1001	ë 137	Ö 153	® 169	┘ 185	┘ 201	┘ 217	Ú 233	¨ 249
A	1010	è 138	Ü 154	┘ 170	┘ 186	┘ 202	┘ 218	Û 234	· 250
B	1011	ï 139	ø 155	<sup>1</sup> / <sub>2</sub> 171	┘ 187	┘ 203	■ 219	Ü 235	<sup>1</sup> / <sub>2</sub> 251
C	1100	î 140	£ 156	<sup>1</sup> / <sub>4</sub> 172	┘ 188	┘ 204	■ 220	Ý 236	<sup>3</sup> / <sub>4</sub> 252
D	1101	ì 141	Ø 157	ı 173	¢ 189	== 205	ı 221	Ý 237	<sup>2</sup> / <sub>3</sub> 253
E	1110	Ä 142	× 158	« 174	¥ 190	┘ 206	İ 222	— 238	■ 254
F	1111	Å 143	f 159	» 175	┘ 191	□ 207	■ 223	’ 239	SP 255

**C.4 Page 3 (PC860: Portuguese)**

	HEX	8	9	A	B	C	D	E	F
HEX	BIN	1000	1001	1010	1011	1100	1101	1110	1111
0	0000	Ç <small>128</small>	É <small>144</small>	á <small>160</small>	☼ <small>176</small>	┌ <small>192</small>	└ <small>208</small>	α <small>224</small>	≡ <small>240</small>
1	0001	ü <small>129</small>	À <small>145</small>	í <small>161</small>	☼ <small>177</small>	└ <small>193</small>	┘ <small>209</small>	β <small>225</small>	≠ <small>241</small>
2	0010	é <small>130</small>	È <small>146</small>	ó <small>162</small>	☼ <small>178</small>	┘ <small>194</small>	┘ <small>210</small>	Γ <small>226</small>	≥ <small>242</small>
3	0011	â <small>131</small>	ô <small>147</small>	ú <small>163</small>	<small>179</small>	┘ <small>195</small>	┌ <small>211</small>	π <small>227</small>	≤ <small>243</small>
4	0100	ã <small>132</small>	õ <small>148</small>	ñ <small>164</small>	┘ <small>180</small>	— <small>196</small>	┌ <small>212</small>	Σ <small>228</small>	∫ <small>244</small>
5	0101	à <small>133</small>	ò <small>149</small>	Ñ <small>165</small>	┘ <small>181</small>	┘ <small>197</small>	┘ <small>213</small>	σ <small>229</small>	J <small>245</small>
6	0110	Á <small>134</small>	Ú <small>150</small>	a <small>166</small>	┘ <small>182</small>	┘ <small>198</small>	┘ <small>214</small>	μ <small>230</small>	÷ <small>246</small>
7	0111	ç <small>135</small>	ù <small>151</small>	o <small>167</small>	┘ <small>183</small>	┘ <small>199</small>	┘ <small>215</small>	τ <small>231</small>	≈ <small>247</small>
8	1000	ê <small>136</small>	ì <small>152</small>	¿ <small>168</small>	┘ <small>184</small>	┌ <small>200</small>	┘ <small>216</small>	Φ <small>232</small>	° <small>248</small>
9	1001	Ê <small>137</small>	Õ <small>153</small>	Ò <small>169</small>	┘ <small>185</small>	┘ <small>201</small>	┘ <small>217</small>	θ <small>233</small>	• <small>249</small>
A	1010	è <small>138</small>	Ü <small>154</small>	¬ <small>170</small>	<small>186</small>	└ <small>202</small>	┘ <small>218</small>	Ω <small>234</small>	· <small>250</small>
B	1011	í <small>139</small>	ç <small>155</small>	½ <small>171</small>	┘ <small>187</small>	┘ <small>203</small>	■ <small>219</small>	δ <small>235</small>	√ <small>251</small>
C	1100	Ô <small>140</small>	£ <small>156</small>	¼ <small>172</small>	┘ <small>188</small>	┘ <small>204</small>	■ <small>220</small>	∞ <small>236</small>	n <small>252</small>
D	1101	ì <small>141</small>	Ù <small>157</small>	¡ <small>173</small>	┘ <small>189</small>	== <small>205</small>	■ <small>221</small>	∅ <small>237</small>	² <small>253</small>
E	1110	Ã <small>142</small>	Þ <small>158</small>	« <small>174</small>	┘ <small>190</small>	┘ <small>206</small>	■ <small>222</small>	∈ <small>238</small>	■ <small>254</small>
F	1111	Â <small>143</small>	Ó <small>159</small>	» <small>175</small>	┘ <small>191</small>	└ <small>207</small>	■ <small>223</small>	∩ <small>239</small>	SP <small>255</small>

**C.5 Page 4 (PC863: Canadian-French)**

	HEX	8	9	A	B	C	D	E	F
HEX	BIN	1000	1001	1010	1011	1100	1101	1110	1111
0	0000	Ç 128	É 144	Ï 160	Ë 176	Ï 192	Ï 208	α 224	≡ 240
1	0001	Û 129	È 145	Ï 161	Ë 177	Ï 193	Ï 209	β 225	± 241
2	0010	é 130	Ê 146	ó 162	Ë 178	Ï 194	Ï 210	Γ 226	≥ 242
3	0011	â 131	ô 147	ú 163	Ï 179	Ï 195	Ï 211	π 227	≤ 243
4	0100	Â 132	Ë 148	Ï 164	Ï 180	Ï 196	Ï 212	Σ 228	∫ 244
5	0101	à 133	ï 149	Ï 165	Ï 181	Ï 197	Ï 213	σ 229	∫ 245
6	0110	¶ 134	û 150	³ 166	Ï 182	Ï 198	Ï 214	μ 230	÷ 246
7	0111	ç 135	ù 151	Ï 167	Ï 183	Ï 199	Ï 215	τ 231	≈ 247
8	1000	ê 136	æ 152	î 168	Ï 184	Ï 200	Ï 216	Φ 232	° 248
9	1001	ë 137	ô 153	Ï 169	Ï 185	Ï 201	Ï 217	θ 233	• 249
A	1010	è 138	Û 154	Ï 170	Ï 186	Ï 202	Ï 218	Ω 234	· 250
B	1011	ï 139	ç 155	½ 171	Ï 187	Ï 203	■ 219	δ 235	√ 251
C	1100	î 140	£ 156	¼ 172	Ï 188	Ï 204	■ 220	∞ 236	n 252
D	1101	= 141	Û 157	¾ 173	Ï 189	Ï 205	■ 221	∅ 237	² 253
E	1110	À 142	Û 158	« 174	Ï 190	Ï 206	■ 222	∈ 238	■ 254
F	1111	§ 143	f 159	» 175	Ï 191	Ï 207	■ 223	∩ 239	SP 255

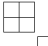
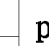


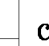


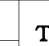


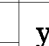


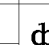


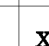


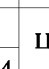


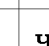


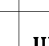


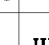

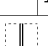
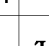


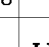

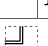
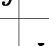


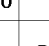

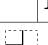
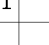


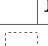
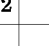

**C.6 Page 5 (PC865: Nordic)**

	HEX	8	9	A	B	C	D	E	F
HEX	BIN	1000	1001	1010	1011	1100	1101	1110	1111
0	0000	Ç 128	É 144	á 160	☒ 176	┘ 192	┘ 208	α 224	≡ 240
1	0001	ü 129	æ 145	í 161	☒ 177	┘ 193	┘ 209	β 225	± 241
2	0010	é 130	Æ 146	ó 162	☒ 178	┘ 194	┘ 210	Γ 226	≥ 242
3	0011	â 131	ô 147	ú 163	 179	┘ 195	┘ 211	π 227	≤ 243
4	0100	ä 132	ö 148	ñ 164	┘ 180	— 196	┘ 212	Σ 228	ƒ 244
5	0101	à 133	ò 149	Ñ 165	┘ 181	┘ 197	┘ 213	σ 229	Ј 245
6	0110	å 134	û 150	а 166	┘ 182	┘ 198	┘ 214	μ 230	÷ 246
7	0111	ç 135	ù 151	о 167	┘ 183	┘ 199	┘ 215	τ 231	≈ 247
8	1000	ê 136	ÿ 152	ı 168	┘ 184	┘ 200	┘ 216	Φ 232	° 248
9	1001	ë 137	Ö 153	┘ 169	┘ 185	┘ 201	┘ 217	θ 233	• 249
A	1010	è 138	Ü 154	┘ 170	 186	┘ 202	┘ 218	Ω 234	· 250
B	1011	ï 139	ø 155	½ 171	┘ 187	┘ 203	■ 219	δ 235	√ 251
C	1100	î 140	£ 156	¼ 172	┘ 188	┘ 204	■ 220	∞ 236	n 252
D	1101	ì 141	Ø 157	ı 173	┘ 189	== 205	■ 221	ø 237	² 253
E	1110	Ä 142	Pt 158	« 174	┘ 190	┘ 206	■ 222	€ 238	■ 254
F	1111	Å 143	f 159	α 175	┘ 191	┘ 207	■ 223	∩ 239	SP 255

**C.7 Page 16 (WPC1252) (TM-T88III only)**

	HEX	8	9	A	B	C	D	E	F
HEX	BIN	1000	1001	1010	1011	1100	1101	1110	1111
0	0000	€ 128	SP 144	SP 160	° 176	À 192	Ð 208	à 224	ð 240
1	0001	SP 129	‘ 145	í 161	± 177	Á 193	Ñ 209	á 225	ñ 241
2	0010	, 130	, 146	¢ 162	² 178	Â 194	Ò 210	â 226	ò 242
3	0011	f 131	“ 147	£ 163	³ 179	Ã 195	Ó 211	ã 227	ó 243
4	0100	” 132	” 148	¤ 164	´ 180	Ä 196	Ô 212	ä 228	ô 244
5	0101	… 133	· 149	¥ 165	µ 181	Å 197	Õ 213	å 229	õ 245
6	0110	† 134	— 150	¦ 166	¶ 182	Æ 198	Ö 214	æ 230	ö 246
7	0111	‡ 135	— 151	§ 167	· 183	Ç 199	× 215	ç 231	+ 247
8	1000	^ 136	~ 152	¨ 168	¸ 184	È 200	Ø 216	è 232	ø 248
9	1001	‰ 137	™ 153	© 169	¹ 185	É 201	Ù 217	é 233	ù 249
A	1010	š 138	š 154	ª 170	º 186	Ê 202	Ú 218	ê 234	ú 250
B	1011	‹ 139	› 155	« 171	» 187	Ë 203	Û 219	ë 235	û 251
C	1100	Œ 140	œ 156	¬ 172	¼ <sup>1/4</sup> 188	Ì 204	Ü 220	ì 236	ü 252
D	1101	SP 141	SP 157	- 173	½ <sup>1/2</sup> 189	Í 205	Ý 221	í 237	ý 253
E	1110	Ž 142	ž 158	® 174	¾ <sup>3/4</sup> 190	Î 206	Þ 222	î 238	þ 254
F	1111	SP 143	ÿ 159	— 175	¿ 191	Ï 207	ß 223	ï 239	ÿ 255

**C.8 Page 17 (PC866: Cyrillic #2) (TM-T88III only)**

	HEX	8	9	A	B	C	D	E	F
HEX	BIN	1000	1001	1010	1011	1100	1101	1110	1111
0	0000	А 128	Р 144	а 160	 176	 192	 208	р 224	Ё 240
1	0001	Б 129	С 145	б 161	 177	 193	 209	с 225	ё 241
2	0010	В 130	Т 146	в 162	 178	 194	 210	т 226	ѐ 242
3	0011	Г 131	У 147	г 163	 179	 195	 211	у 227	ѓ 243
4	0100	Д 132	Ф 148	д 164	 180	 196	 212	ф 228	ї 244
5	0101	Е 133	Х 149	е 165	 181	 197	 213	х 229	і 245
6	0110	Ж 134	Ц 150	ж 166	 182	 198	 214	ц 230	ў 246
7	0111	З 135	Ч 151	з 167	 183	 199	 215	ч 231	џ 247
8	1000	И 136	Ш 152	и 168	 184	 200	 216	ш 232	° 248
9	1001	Й 137	Щ 153	й 169	 185	 201	 217	щ 233	• 249
A	1010	К 138	Ъ 154	к 170	 186	 202	 218	ъ 234	· 250
B	1011	Л 139	Ы 155	л 171	 187	 203	 219	ы 235	√ 251
C	1100	М 140	Ь 156	м 172	 188	 204	 220	ь 236	№ 252
D	1101	Н 141	Э 157	н 173	 189	 205	 221	э 237	⊠ 253
E	1110	О 142	Ю 158	о 174	 190	 206	 222	ю 238	 254
F	1111	П 143	Я 159	п 175	 191	 207	 223	я 239	SP 255



**C.9 Page 18 (PC852: Latin2) (TM-T88III only)**

	HEX	8	9	A	B	C	D	E	F
HEX	BIN	1000	1001	1010	1011	1100	1101	1110	1111
0	0000	Ç 128	É 144	á 160	☐ 176	☐ 192	d 208	Ó 224	- 240
1	0001	ü 129	Í 145	í 161	■ 177	☐ 193	Đ 209	ß 225	” 241
2	0010	é 130	Í 146	ó 162	■ 178	☐ 194	Ď 210	Ô 226	‘ 242
3	0011	â 131	ô 147	ú 163	☐ 179	☐ 195	Ě 211	Ň 227	ˇ 243
4	0100	ä 132	ö 148	À 164	☐ 180	☐ 196	ď 212	ń 228	ˇ 244
5	0101	û 133	Ľ 149	ą 165	Á 181	☐ 197	Ň 213	ň 229	§ 245
6	0110	ć 134	ĭ 150	Ž 166	Â 182	Ă 198	í 214	Š 230	÷ 246
7	0111	ç 135	Ś 151	ž 167	Ě 183	ǎ 199	î 215	š 231	· 247
8	1000	ì 136	ś 152	Ę 168	Ş 184	☐ 200	ě 216	Ŕ 232	° 248
9	1001	ë 137	Ö 153	e 169	☐ 185	☐ 201	☐ 217	Ú 233	” 249
A	1010	Ö 138	Ü 154	☐ 170	☐ 186	☐ 202	☐ 218	ř 234	· 250
B	1011	ö 139	Ť 155	ź 171	☐ 187	☐ 203	■ 219	Ů 235	ů 251
C	1100	î 140	ť 156	Č 172	☐ 188	☐ 204	■ 220	ý 236	Ř 252
D	1101	Ž 141	Ł 157	ś 173	Ż 189	☐ 205	Ŧ 221	Ý 237	ř 253
E	1110	Ä 142	× 158	« 174	ż 190	☐ 206	Ů 222	ı 238	■ 254
F	1111	Ć 143	č 159	» 175	☐ 191	☐ 207	■ 223	’ 239	SP 255

**C.10 Page 19 (PC858: Euro)**

	HEX	8	9	A	B	C	D	E	F
HEX	BIN	1000	1001	1010	1011	1100	1101	1110	1111
0	0000	Ç 128	É 144	á 160	⌘ 176	⌚ 192	Đ 208	Ó 224	— 240
1	0001	ü 129	æ 145	í 161	⌘ 177	⌚ 193	Đ 209	ß 225	± 241
2	0010	é 130	Æ 146	ó 162	⌘ 178	⌚ 194	Ê 210	Ô 226	= 242
3	0011	â 131	ô 147	ú 163	 179	⌚ 195	Ë 211	Ò 227	<sup>3</sup> / <sub>4</sub> 243
4	0100	ä 132	ö 148	ñ 164	⌚ 180	— 196	È 212	õ 228	¶ 244
5	0101	à 133	ò 149	Ñ 165	Á 181	⌚ 197	€ 213	Ö 229	§ 245
6	0110	å 134	û 150	ä 166	Â 182	ã 198	í 214	μ 230	÷ 246
7	0111	ç 135	ù 151	ó 167	À 183	Ã 199	î 215	þ 231	· 247
8	1000	ê 136	ÿ 152	¿ 168	© 184	⌚ 200	Ï 216	þ 232	° 248
9	1001	ë 137	Ï 153	® 169	⌚ 185	⌚ 201	⌚ 217	Ú 233	¨ 249
A	1010	è 138	Û 154	⌚ 170	⌚ 186	⌚ 202	⌚ 218	Û 234	· 250
B	1011	ï 139	ø 155	<sup>1</sup> / <sub>2</sub> 171	⌚ 187	⌚ 203	■ 219	Ù 235	<sup>1</sup> 251
C	1100	î 140	£ 156	<sup>1</sup> / <sub>4</sub> 172	⌚ 188	⌚ 204	■ 220	ý 236	<sup>3</sup> 252
D	1101	ì 141	Ø 157	ì 173	¢ 189	= 205	¡ 221	Ý 237	<sup>2</sup> 253
E	1110	Ä 142	× 158	« 174	¥ 190	⌚ 206	ì 222	— 238	■ 254
F	1111	Å 143	f 159	» 175	⌚ 191	⌚ 207	■ 223	' 239	SP 255

**C.11 Page 255 (Blank Page)**

HEX	HEX	8	9	A	B	C	D	E	F
HEX	BIN	1000	1001	1010	1011	1100	1101	1110	1111
0	0000	SP 128	SP 144	SP 160	SP 176	SP 192	SP 208	SP 224	SP 240
1	0001	SP 129	SP 145	SP 161	SP 177	SP 193	SP 209	SP 225	SP 241
2	0010	SP 130	SP 146	SP 162	SP 178	SP 194	SP 210	SP 226	SP 242
3	0011	SP 131	SP 147	SP 163	SP 179	SP 195	SP 211	SP 227	SP 243
4	0100	SP 132	SP 148	SP 164	SP 180	SP 196	SP 212	SP 228	SP 244
5	0101	SP 133	SP 149	SP 165	SP 181	SP 197	SP 213	SP 229	SP 245
6	0110	SP 134	SP 150	SP 166	SP 182	SP 198	SP 214	SP 230	SP 246
7	0111	SP 135	SP 151	SP 167	SP 183	SP 199	SP 215	SP 231	SP 247
8	1000	SP 136	SP 152	SP 168	SP 184	SP 200	SP 216	SP 232	SP 248
9	1001	SP 137	SP 153	SP 169	SP 185	SP 201	SP 217	SP 233	SP 249
A	1010	SP 138	SP 154	SP 170	SP 186	SP 202	SP 218	SP 234	SP 250
B	1011	SP 139	SP 155	SP 171	SP 187	SP 203	SP 219	SP 235	SP 251
C	1100	SP 140	SP 156	SP 172	SP 188	SP 204	SP 220	SP 236	SP 252
D	1101	SP 141	SP 157	SP 173	SP 189	SP 205	SP 221	SP 237	SP 253
E	1110	SP 142	SP 158	SP 174	SP 190	SP 206	SP 222	SP 238	SP 254
F	1111	SP 143	SP 159	SP 175	SP 191	SP 207	SP 223	SP 239	SP 255

UD: undefined

## C.12 International Character Set

Country	ASCII codes (base 16)											
	23	24	40	5B	5C	5D	5E	60	7B	7C	7D	7E
America	#	\$	@	[	\	]	^	`	{		}	~
France	#	\$	à	°	ç	§	^	`	é	ù	è	¨
Germany	#	\$	§	Ä	Ö	Ü	^	`	ä	ö	ü	ß
UK	£	\$	@	[	\	]	^	`	{		}	~
Denmark I	#	\$	@	Æ	Ø	Å	^	`	æ	ø	å	~
Sweden	#	\$	É	Ä	Ö	Å	Ü	é	ä	ö	å	ü
Italy	#	\$	@	°	\	é	^	ù	à	ò	è	ì
Spain I	Pt	\$	@	ı	Ñ	ı	^	`	¨	ñ	}	~
Japan	#	\$	@	[	¥	]	^	`	{		}	~
Norway	#	¤	É	Æ	Ø	Å	Ü	é	æ	ø	å	ü
Denmark II	#	\$	É	Æ	Ø	Å	Ü	é	æ	ø	å	ü
Spain II	#	\$	á	ı	Ñ	ı	é	`	ı	ñ	ó	ú
Latin America	#	\$	á	ı	Ñ	ı	é	ü	ı	ñ	ó	ú
Korea	#	\$	@	[	₩	]	^	`	{		}	~

Appendix D

**TM-T88II/TM-88III Comparison Table**

	TM-T88III	TM-T88II
1. High-speed print mode	Approx. 150 mm/s {5.91"/s} (4.72") maximum	Approx. 120 mm/s {4.72"/s} (4.72") maximum
2. High-speed power consumption mode	Average approx. 1.8 A	Average approx. 1.7 A
3. Serial interface selectable baud rates	4800, 9600, 19200, 38400, (2400 discontinued; 38400 added). 38400 selected by setting DIP SW1-7 and 1-8 to ON.	2400, 4800, 9600, 19200
4. Conditions for canceling receive buffer BUSY state *	Set on DIP SW2-5 *	Cannot be changed
5. Supported character sets (extended graphics) *	11 pages including WPC 1252, PC866 (Cyrillic #2), PC852 (Latin2))	8 pages
6. Driver (EPSON OPOS ADK, Advanced Printer Driver )	Also can be operated by the TM-T88II driver. Functions, however, are restricted as follows: <ul style="list-style-type: none"> <li>• Some baud rates cannot be used in serial communications (38400 bps, 2400 bps).</li> </ul> <b>Note:</b> The driver cannot set a 38400 bps baud rate. Selecting a 2400 bps baud rate with the driver causes garbled characters (the printer does not support a 2400 bps baud rate).	—

\* For details on the conditions for canceling the receive buffer BUSY state, refer to ' DIP Switch Functions, ' (page 2-3).





**EPSON**

**SEIKO EPSON CORPORATION**

Printed in Japan