

code

Product Guide



Table of Contents

Company Profile	3
Code Reader 1200™ Overview	4
Code Reader 1200™ Competitive Advantages	5
Code Reader 1200™ Key Differentiators	6
Code Reader 1200™ Competitive Cross Reference Table	7
Code Reader 1200™ Ordering Information	8
Code Reader 2500™ Overview	9
Code Reader 2500™ Competitive Advantages	10
Code Reader 2500™ Key Differentiators	12
Code Reader 2500™ Competitive Cross Reference Table	13
Code Reader 2500™ Ordering Information	15
Code Reader 3500™ Overview	16
Code Reader 3500™ Competitive Advantages	17
Code Reader 3500™ Key Differentiators	19
Code Reader 3500™ Competitive Cross Reference Table	20
Code Reader 3500™ Ordering Information	21
Appendix A: Code Reader 1200™ PowerPoint Presentation	Appendix A
Appendix B: Code Reader 2500™ and Code Reader 3500™ PowerPoint Presentation	Appendix B
Appendix C: Bar Coded Medication Administration Quick Start Guide	Appendix C
Appendix D: Electronic Copy of Product Guide	Appendix D

Company Profile

Code Corporation Innovating Barcode Technology

Code Corporation designs, develops and manufactures image-based bar code readers and portable data terminals and provides software tools for data collection applications development. With expertise in optical engineering, electronic imaging, mechanical packaging, software development, and wireless communications technologies - including Bluetooth™ - Code is an innovative leader in the Auto Identification and Data Collection Industry.



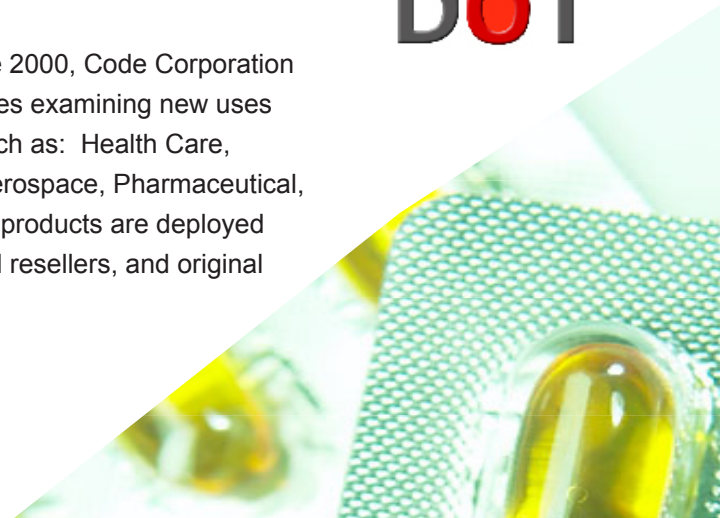
Code Reader 3500™

Code has developed a suite of hardware and software tools enabling businesses to manage their unique data collection and reporting needs. While bar coding is often identified with managing inventory, more recently the need to identify people and actions as part of processes has opened doors for the use of Code's products.

Founded in the 1990's and shipping reader products since 2000, Code Corporation is a privately-held company with key customers in industries examining new uses for innovative data collection and reporting technology, such as: Health Care, Event Management, Public Safety, and the Electronics, Aerospace, Pharmaceutical, Technology and Automotive Manufacturing fields. Code's products are deployed world-wide and are sold through distributors, value-added resellers, and original equipment manufacturers.

featuring

DOT



Code owns several proprietary technologies, including: GoCode, a matrix-type two-dimensional symbology for secured data applications; Dynamic Optimization Technology (DOT) for unsurpassed reading performance; and CodeXML, a data collection applications enablement system.



Code utilizes manufacturing resources worldwide. Code's operations are focused on continuous improvement of our products. Code is unsurpassed in its ability to quickly implement advanced data collection technologies.

Code Corporation
14940 So. Pony Express Rd., Suite 500
Bluffdale, UT 84065
801-495-2200 - www.codecorp.com

Code Corporation is head-quartered in the Salt Lake City, Utah metropolitan area.

Code Reader 1200™ Overview

Product Overview:



Size: 7" h x 4.5" d x 2.5" w
Weight: 6.4 oz (181 gm)
Warranty: 3 Years

The Code Reader 1200 (CR1200) is a fast, lightweight, and affordable cabled bar code reader. It's wide angle lens will capture and decode all linear and matrix bar code symbologies.

The CR1200's user-friendly design features an ergonomic grip and index-finger trigger. Combined, with a targeting technique that utilizes different colored converging LEDs to determine target range, the CR1200 is an easy to use bar code reader.

The CR1200 features a durable overmold housing and secured cable to ensure drop-shock surviveability, making it uniquely suited for rugged high-use environments. In Healthcare applications, the rugged design and disinfectant resistant housing can give you peace of mind knowing that the CR1200 can operate reliably 24/7/365.

Three cabling choices are available: USB, RS-232 or PS/2.

Position in Code's product line:

Built for cabled 'point and shoot' omnidirectional applications, the CR1200 is Code's low-cost addition to its high performance line of bar code readers.

While simple in design and function, the CR1200 is singularly adept in data and image capture and decoding performance, making it the an ideal bar code reader for production work-in -process, point-of-sale, inventory management, supply chain functions andpoint-to-point logistics.



CR1200



CR2500



CR3500

Features and Benefits:

The CR1200:

- Reads and decodes all bar code symbologies
- Durable overmold housing and secured cable ensure drop-shock surviveability
- User-friendly design features an ergonomic grip and index-finger trigger
- 'Good Read' user feedback in vibration, visual and audible modes
- Dual converging LEDs for faster bar code reading
- JavaScript platform allows for easy integration with enterprise software
- Continuous scan mode option for presentation scanning
- Firmware is field upgradeable
- Three cabling choices: USB, RS-232 or PS/2

Code Reader 1200™ Competitive Advantages

Competitive Advantages:

Vibration on Good Read: The CR1200 is equipped with a vibrating motor in the handle for noisy environments where the typical beep tone is not loud enough, or quiet hospital environments where sleeping patients can remain undisturbed during bedside scanning of wristbands.

Light Weight & Durable: The lightest product in its class, the CR1200 weighs significantly less than other comparable devices and includes co-molded rubber for added durability and a permanent lanyard hook. When working long shifts or stretching for hard to reach places, the reduced weight will limit fatigue and muscle strain.

Power Requirements: The CR1200 has significantly reduced power requirements versus the competition, thus limiting the battery drain on mobile devices/carts and reducing overall costs when deployed throughout your operation.

Dynamic Optimization Technology: DOT automatically improves decode performance by continually processing resolution, illumination, and image field settings for the fastest possible symbol identification. From the moment you turn on your reader, you are taking full advantage of the 1.3 megapixel imager and 400 MHz processor. DOT achieves decoding speeds for 2D codes that are similar to speeds usually seen in laser/1D readers.

Advanced Programming with JavaScript: JavaScript is recognized as the leading procedural language for cross-platform development. JavaScript is used to develop interaction with the user, control the logic of input processing, add encryption, display messages to the user, perform look-up and other validation functions, and control the interaction with a remote host either through cabled or radio frequency (Bluetooth) communications. Applications are developed without the overhead and porting problems inherent with Windows Pocket PC, Linux and CE.NET.

Disinfectant Resistant Housing – For applications that require cleaning with disinfectants, the CR1200 housing will not degrade when using cleaning agents with Isopropyl Alcohol or Ethyl Alcohol (Denatured Grade).

Code Reader 1200™ Key Differentiators

Key Differentiators (cabled): CR1200 vs. Honeywell Product Line



Feature	Code CR1200	Honeywell MS1690	Honeywell MS1890	Honeywell 4600g	Honeywell 4800i
Vibrating Motor on Good Reads	★				
Lanyard Hook	★		★		
Dynamic Optimization Technology	★	First Flash ★	First Flash ★	Adaptus ★	Adaptus ★
Weight	6.4 oz. ★	8.0 oz.	10.0 oz.	6.5 oz. ★	7.5 oz.
Image Sensor	1.3 Megapixel ★	1.2 Megapixel	1.2 Megapixel	300K-pixel	300K-pixel
Minimum Element Width	1D: 3.0 mil 2D: 4.2 mil ★	1D: 5.0 mil 2D: 10.0 mil	1D: 5.0 mil 2D: 10.0 mil	1D: 5.0 mil 2D: 10.0 mil	1D: 7.5 mil 2D: 10.0 mil
Working Range	13mil UPC: 1.0" - 6.0" 10 mil DM: 2.0" - 5.0"	13 mil UPC: 0" - 11.8" 10mil DM: n/a ★	13 mil UPC: 0" - 11.8" 10mil DM: n/a ★	14 mil UPC: 0" - 11.8" 10mil DM: n/a ★	13mil UPC: 1.6" - 12.7" 10 mil DM: 2.5" - 6.0" ★
Advanced Programming	CodeXML and JavaScript ★	MetroSet & Total Freedom ★	MetroSet & Total Freedom ★		

Key Differentiators (cabled): CR1200 vs. Datalogic, Motorola and Intermec



Feature	Code CR1200	Datalogic Gryphon	Datalogic Powerscan 8500	Motorola DS6700	Intermec SR61
Vibrating Motor on Good Reads	★				
Lanyard Hook	★		★		
Dynamic Optimization Technology	★				
Weight	6.4 oz. ★	7.0 oz	10.4 oz	6.4 oz ★	10.0 oz
Image Sensor	1.3 Megapixel ★	360 K-pixel	1.3 Megapixel ★	1.3 Megapixel ★	385 K-pixel
Minimum Element Width	1D: 3.0 mil 2D: 4.2 mil ★	n/a	1D: 4.0 mil 2D: 6.6 mil	1D: 5.0 mil 2D: 10.0 mil	1D: 5.0 mil 2D: 6.6 mil
Working Range	13mil UPC: 1.0" - 6.0" 10 mil DM: 2.0" - 5.0"	13mil UPC: 0.6" - 8.6" 10 mil DM: 0.6" - 5.5" ★	13mil UPC: 1.9"-10.6" 10 mil DM: 2.7" - 7.7" ★	13mil UPC: 0.5" - 9.7" 10 mil DM: 1.1" - 7.5" ★	13mil UPC: 1.8" - 12.8" 10 mil DM: 2.0" - 8.3" ★
Advanced Programming	CodeXML and JavaScript ★				

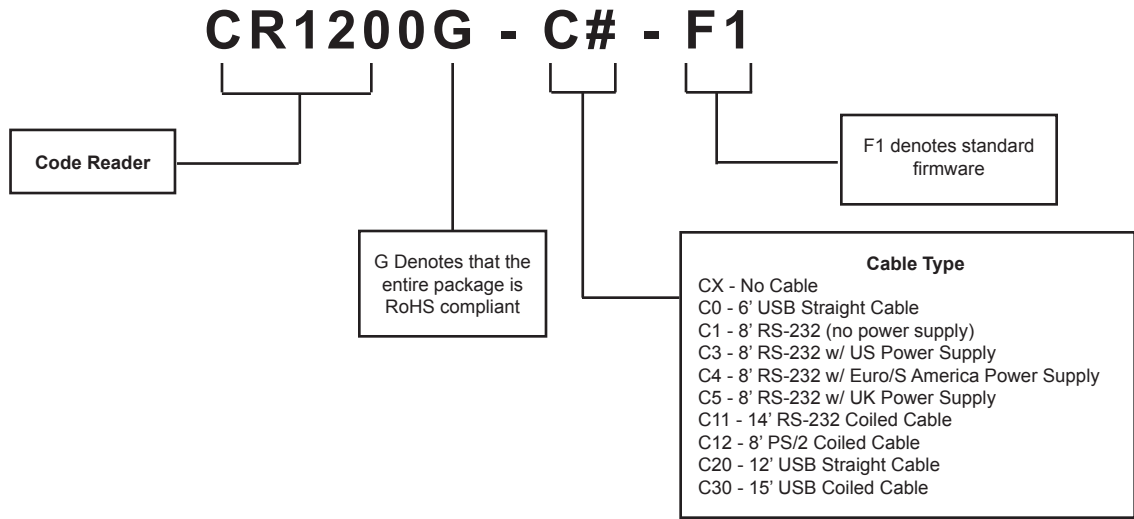
Code Reader 1200™ Competitive Cross Reference Table

Competitive Cross Reference Table – Cabled Scanners

	Code CR1200	Honeywell 48001	Honeywell 4600	Datalogic Gryphon 432D Plus	Datalogic PowerScan 8500	Intermec SR61	Motorola DS6700	Honeywell 1690	Honeywell 1890
Imager Resolution	1280 x 1024	640 x 480	640 x 480	752 x 480	1280 x 1024	782 x 492	1280 x 1024	1280 x 1024	1280 x 1024
Weight	6.4 oz.	7.5 oz	6.5 oz	7.0 oz	10.4 oz.	10.0 oz	6.4 oz	8 oz	10.0 oz
Dimensions	7"H x 4.5"L x 2.5"W	6.4"H x 5.3"L x 3.2"W	6.2"H x 5.3L x 3.2"W	7.0"H x 3.2"L x 3.9"W	8.1"H x 4.5"L x 2.7"W	7"H x 4.5"L x 2.8"W	6.5"H x 4.7"L x 2.8"W	7.2"H x 3.1"L x 3.5"W	7.2"H x 4.4"L x 3.1"W
Advanced Programming	CodeXML Rules or JavaScript	NONE	NONE	NONE	NONE	NONE	NONE	Yes, called Total Freedom	Yes, called Total Freedom
Optical Field	SINGLE	SINGLE - 2 Versions	SINGLE	SINGLE	SINGLE - 3 Versions	SINGLE - 3 Versions	SINGLE	SINGLE	SINGLE
Minimum Element Width	1D: 4.2 mil 2D: 7.5 mil	1D: 7.5 mil 2D: 10.0 mil	1D: 7.5 mil 2D: 10.0 mil	n/a	1D: 4.0 mil 2D: 6.6 mil	1D: 5.0 mil 2D: 6.6 mil	1D: 5.0 mil 2D: 10.0 mil	1D: 5.0 mil 2D: 10.0 mil	1D: 5.0 mil 2D: 10.0 mil
Enhanced Decoding	Dynamic Optimization Technology	Adaptus	Adaptus	None	None	None	None	None	None
Working Range	13mil UPC: 0.5" - 10.0" 10 mil DM: 2.0" - 7.0"	13mil UPC: 1.6" - 12.7" 10 mil DM: 2.5" - 6.0"	13mil UPC: 1.6" - 12.7" 10 mil DM: 2.5" - 6.0"	13mil UPC: 0.6" - 8.6" 10 mil DM: 0.6" - 5.5"	13mil UPC: 1.9" - 10.6" 10 mil DM: 2.7" - 7.7"	13mil UPC: 1.8" - 12.8" 10 mil DM: 2.0" - 8.3"	13mil UPC: 0.5" - 9.7" 10 mil DM: 1.1" - 7.5"	13 mil UPC: 0" - 11.8" 10mil DM: n/a	13 mil UPC: 0" - 11.8" 10mil DM: n/a
Vibration on Good Read	YES	NO	NO	NO	NO	NO	NO	NO	NO
Symbologies	Omnidirectional of 1D/2D/Postal/OCR	Omnidirectional of 1D/2D/Postal/OCR	Omnidirectional of 1D/2D/Postal/OCR	Omnidirectional of 1D/2D/Postal/OCR	Omnidirectional of 1D/2D/Postal/OCR	Omnidirectional of 1D/2D/Postal/OCR	Omnidirectional of 1D/2D/Postal/OCR	Omnidirectional of 1D/2D/Postal/OCR	Omnidirectional of 1D/2D/Postal/OCR
Warranty	3 Years	5 Years	5 Years	6 Years	3 Years	1 year	5 Years	5 Years	5 Years
Power Requirements	1650 mW (typical)	1910 mW (typical)	1911 mW (typical)	1225 mW (typical)	2750 mW (typical)	Unknown	1750 mW (typical)	2000 mW (typical)	2000 mW (typical)
Drop	6 ft.	6.5 ft.	6 ft.	6 ft.	6.6 ft.	6.5 ft.	6 ft.	5 ft.	6.5 ft.

Code Reader 1200™ Ordering Information

CR1200 SKU Description:



Popular CR1200 Packages:

SKU	SKU Description
CR1200G-C0-F1	CR1200, 6' USB Straight Cable
CR1200G-C20-F1	CR1200, 12' USB Straight Cable
CR1200G-C12-F1	CR1200, 8' PS/2 Coiled Cable
CR1200G-C3-F1	CR1200, 8' RS-232 Straight Cable w/ US Power Supply

CR1200 Accessories:



Code Reader 2500™ Overview

Product Overview:



Size: 1.2" h x 4.9" d x 1.8" w
Weight: 5 oz (145 gm)
Warranty: 3 Years

With new high-performance bar code reading technology, the Code Reader 2500 (CR2500) is the most aggressive bar code reader on the market today. The CR2500 decodes bar codes faster and offers features not found in other readers, including Code's new patented automatic glare reducing technology.

The CR2500 offers the next generation in dual-field optics, reading both wide linear and the smallest of 2D bar codes. The optimal focus and field of view indicator of the CR2500 make bar code reading even easier than before.

The CR2500 excels in batch, cabled or wireless modes. Wireless readers are available with a Bluetooth Class I or Class III radio. The CodeXML Bluetooth Modem enables simplified wireless transmission of captured data to a host computer or system.

The CR2500 is lightweight, comfortable and easy to use and will excel in both low and high-volume use case scenarios. In Healthcare applications, the rugged design and disinfectant resistant housing can give you peace of mind knowing that the CR2500 can operate reliably 24/7/365.

Position in Code's product line:

The CR2500 can be accompanied by a variety of accessories, making it available in: batch, cabled, or wireless formats. Handles, cables, or battery handles can be used to further ruggedize the CR2500 for use-case scenarios

Code's new patented anti-glare reducing technology makes the CR2500 the ideal reader for applications with bar codes on difficult reading surfaces, including circuit boards, IV bags, patient-wristbands, driver licenses and other shiny or curved surfaces.



Features and Benefits:

The CR2500:

- Reads and decodes all bar code symbologies
- Excels in batch, cabled or wireless modes
- Modular design allows reader to never be out of service when charging battery
- 'Good Read' user feedback in vibration, visual and audible modes
- 10MB of batch data and JavaScript memory
- JavaScript platform allows for easy integration with enterprise software
- Continuous scan mode option for presentation scanning
- Firmware is field upgradeable
- Data output via Bluetooth, USB, RS-232, and PS/2

Code Reader 2500™ Competitive Advantages

Competitive Advantages:

Glare Reduction: Items with shiny, curved or warped surfaces can reflect ambient light into the camera and reduce read-rate. The CR2500 is the only 2D Area Imager in the industry equipped with patented glare and reflection reducing technology that significantly increases read rates in these environments.



CR2500 with Anti-Glare OFF



CR2500 with Anti-Glare ON

Vibration on Good Read: The CR2500 is equipped with a vibrating motor for noisy environments where the typical beep tone is not loud enough, or quiet hospital environments where sleeping patients can remain undisturbed during bedside scanning of wristbands.

Dual-Lens Technology: The CR2500 has a patented dual-lens design giving the user both high-density and standard range decoding built into 1 unit. The competition typically needs multiple units to cover the same range of bar code size (large and very small) covered by a single CR2500.

Bluetooth: Code was the first company to introduce an Area Imager with Bluetooth wireless technology over 5 years ago. Code has been a leader in Bluetooth and has multiple OEMs that use its Bluetooth Modem and Router Software worldwide.

Disinfectant Resistant Housing – For applications that require cleaning with disinfectants, the CR2500 housing will not degrade when using cleaning agents with Isopropyl Alcohol or Ethyl Alcohol (Denatured Grade).

Modular Design:

- **Removable Handles:** Attach a handle for typical hand-held scanner operation, or the handle can be removed to fit in the hand like a candy-bar, reducing fatigue and providing easier access to the buttons on the top surface of the unit.
- **Replaceable Battery Packs:** Wireless units have replaceable battery packs for both hand-held and “candy bar” usage. The hand-held battery pack has an option for an industry-leading 3900 mA-hour battery option.
- **Field Serviceable:** quick-disconnect cables and other easy-to-replace accessories make repairs a snap.

Code Reader 2500™ Competitive Advantages

- **Upgrades:** The design allows for an easy transition from Cabled to Bluetooth or vice versa without the need to replace the entire device. Simply replace the handle and battery. Firmware can be uploaded from a standard PC.
- **Batch:** The 2500 is a batch PDA, too. With 10MB of RAM, the CR2500 can be used to handle any inventory or other data collection needs.

Programmable Buttons: The CR2500 has multiple buttons on the upper surface of the unit that can be programmed for various tasks, such as simulated keystrokes, triggering the unit and more, making the device more versatile than typical hand-held devices on the market today.

Power Requirements: The CR2500 has significantly reduced power requirements, thus limiting the battery drain on mobile devices/carts and reducing overall costs when deployed throughout your operation.

Weight: The CR2500 weighs from 25% to 50% less than other devices. When working long shifts or stretching for hard to reach places, the reduced weight will limit fatigue and muscle strain.

Advanced Programming with JavaScript: JavaScript is recognized as the leading procedural language for cross-platform development. JavaScript is used to develop interaction with the user, control the logic of input processing, add encryption, display messages to the user, perform look-up and other validation functions, and control the interaction with a remote host either through cabled or radio frequency (Bluetooth) communications. Applications are developed without the overhead and porting problems inherent with Windows Pocket PC, Linux and CE.NET.

Key Differentiators (cabled): CR2500 vs. Honeywell Product Line



Feature	Code CR2500	Honeywell MS1690	Honeywell 4600g	Honeywell 4800i
Glare Reduction Technology	★			
Vibrating Motor on Good Reads	★			
Modular Design	★			
Multiple Programmable Buttons	★			
Image Sensor	1.3 Megapixel ★	1.2 Megapixel	300K-pixel	300K-pixel
Minimum Element Width	1D: 3.0 mil 2D: 4.2 mil ★	1D: 5.0 mil 2D: 10.0 mil	1D: 5.0 mil 2D: 10.0 mil	1D: 7.5 mil 2D: 10.0 mil
Working Range	13mil UPC: 1.0" - 6.0" 10 mil DM: 2.0" - 5.0"	13 mil UPC: 0" - 11.8" 10mil DM: n/a ★	14 mil UPC: 0" - 11.8" 10mil DM: n/a ★	13mil UPC: 1.6" - 12.7" 10 mil DM: 2.5" - 6.0" ★
Advanced Programming	CodeXML and JavaScript ★	MetroSet & Total Freedom ★		

Code Reader 2500™ Key Differentiators

Key Differentiators (cabled): CR2500 vs. Datalogic, Motorola and Intermec



Feature	Code CR2500	Datalogic Gryphon	Motorola DS6700	Intermec SR61
Glare Reduction Technology	★			
Vibrating Motor on Good Reads	★			
Modular Design	★			
Multiple Programmable Buttons	★			
Image Sensor	1.3 Megapixel ★	360 K-pixel	1.3 Megapixel ★	385 K-pixel
Minimum Element Width	1D: 3.0 mil 2D: 4.2 mil ★	n/a	1D: 5.0 mil 2D: 10.0 mil	1D: 5.0 mil 2D: 6.6 mil
Working Range	13mil UPC: 1.0" - 6.0" 10 mil DM: 2.0" - 5.0"	13mil UPC: 0.6" - 8.6" 10 mil DM: 0.6" - 5.5" ★	13mil UPC: 0.5" - 9.7" 10 mil DM: 1.1" - 7.5" ★	13mil UPC: 1.8" - 12.8" 10 mil DM: 2.0" - 8.3" ★
Advanced Programming	CodeXML and JavaScript ★			

Key Differentiators (wireless): CR2500 vs. Honeywell, Motorola and Intermec



Feature	Code CR2500	Honeywell MS1633	Motorola DS3478	Intermec SR61
Glare Reduction Technology	★			
Vibrating Motor on Good Reads	★			
Modular Design	★			
Multiple Programmable Buttons	★			
Battery	1950 mA-hr or 3900 mA-hr ★	2300 mA-hr ★	2200 mA-hr ★	unknown
Image Sensor	1.3 Megapixel ★	360 K-pixel	300 K-pixel	385 K-pixel
Minimum Element Width	1D: 3.0 mil 2D: 4.2 mil ★	1D: 5.0 mil 2D: 10.0 mil	1D: 5.0 mil 2D: 5.0 mil	1D: 5.0 mil 2D: 6.6 mil
Working Range	13mil UPC: 1.0" - 6.0" 10 mil DM: 2.0" - 5.0"	13 mil UPC: 0" - 11.8" 10mil DM: n/a ★	13mil UPC: 0.8" - 14.5" 10 mil DM: 1.2" - 5.0" ★	13mil UPC: 1.8" - 12.8" 10 mil DM: 2.0" - 8.3" ★
Advanced Programming	CodeXML and JavaScript ★	MetroSet & Total Freedom ★		

Code Reader 2500™ Competitive Cross Reference Table

Competitive Cross Reference Table – Cabled Scanners

	Code CR2500	Honeywell 4800i	Honeywell 4600	Datalogic Gryphon Desk 2D Plus	Intermec SR61	Motorola DS6700	Honeywell 1690
Imager Resolution	2x (640 x 1024) 3.5 oz (no handle) 5.8 oz (w/ handle)	640 x 480 7.5 oz	640 x 480 6.5 oz	752 x 480 7.0 oz	782 x 492 10.0 oz	1280 x 1024 6.4 oz	1280 x 1024 8 oz
Dimensions	1.2"H x 4.9"L x 1.8"W CodeXML Rules or JavaScript	6.4"H x 5.3"L x 3.2"W	6.2"H x 5.3"L x 3.2"W	7.0"H x 3.2"L x 3.9"W	7"H x 4.5"L x 2.8"W	6.5"H x 4.7"L x 2.8"W	7.2"H x 3.1"L x 3.5"W
Advanced Programming		NONE	NONE	NONE	NONE	NONE	Yes, called Total Freedom
Optical Field	DUAL 1D: 3.0 mil 2D: 4.2 mil	SINGLE - 2 Versions 1D: 7.5 mil 2D: 10.0 mil	SINGLE 1D: 7.5 mil 2D: 10.0 mil	SINGLE n/a	SINGLE - 3 versions 1D: 5.0 mil 2D: 6.6 mil	SINGLE 1D: 5.0 mil 2D: 10.0 mil	SINGLE 1D: 5.0 mil 2D: 10.0 mil
Minimum Element Width							
Working Range	13mil UPC: 1.0" - 6.0" 10 mil DM: 2.0" - 5.0"	13mil UPC: 1.6" - 12.7" 10 mil DM: 2.5" - 6.0"	13mil UPC: 1.6" - 12.7" 10 mil DM: 2.5" - 6.0"	13mil UPC: 0.6" - 8.6" 10 mil DM: 0.6" - 5.5"	13mil UPC: 1.8" - 12.8" 10 mil DM: 2.0" - 8.3"	13mil UPC: 0.5" - 9.7" 10 mil DM: 1.1" - 7.5"	13 mil UPC: 0" - 11.8" 10mil DM: n/a
Detachable Handle	YES	NO	NO	NO	NO	NO	NO
Bluetooth Version	YES	Different Model	Different Model	NO	Different Model	Different Model	Different Model
Batch/Storage	YES	NO	NO	NO	NO	NO	NO
Vibration on Good Read	YES	NO	NO	NO	NO	NO	NO
Symbologies	Omnidirectional of 1D/2D/Postal/OCR	Omnidirectional of 1D/2D/Postal/OCR	Omnidirectional of 1D/2D/Postal/OCR	Omnidirectional of 1D/2D/Postal	Omnidirectional of 1D/2D/Postal	Omnidirectional of 1D/2D/Postal/OCR	Omnidirectional of 1D/2D/Postal/OCR
Warranty	3 Years	5 Years	5 Years	6 Years	1 year	5 Years	5 Years
Power Requirements	1400 mW (typical)	1910 mW (typical)	1911 mW (typical)	1225 mW (typical)	Unknown	1750 mW (typical)	2000 mW (typical)
Drop	6 ft.	6.5 ft.	6 ft.	6 ft.	6.5 ft.	6 ft.	5 ft.

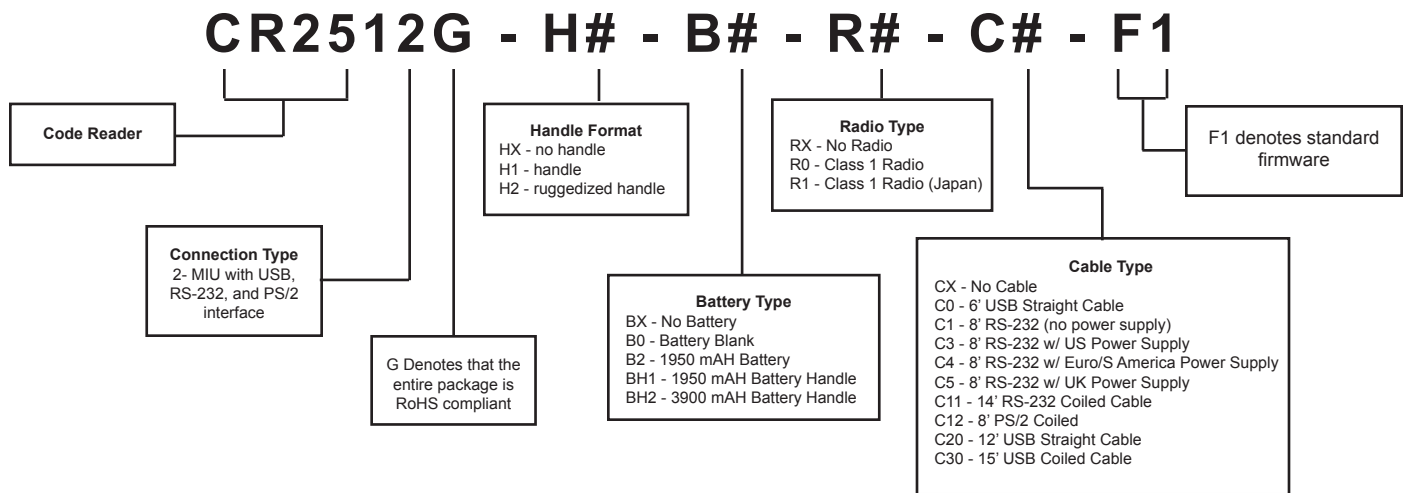
Code Reader 2500™ Competitive Cross Reference Table

Competitive Cross Reference Table – Wireless Scanners

	Code CR2500	Honeywell MS1633	Motorola DS3478	Intermec SR61
Imager Resolution	2x (640 x 1024)	1280 x 1024	640 x 480	782 x 492
Weight	5 oz (no handle) 9.4 oz (w/ handle)	10.2 oz	14.6 oz	15 oz
Dimensions	1.2"H x 4.9"L x 1.8"W	7.2"H x 3.1"L x 4.9"W	7.3"H x 4.8"L x 2.9"W	7"H x 4.5"L x 2.8"W
Advanced Programming	CodeXML Rules or JavaScript	Yes, called Total Freedom	NO	NO
Expected Battery Life	1950 mA/Hr or 3900 mA/Hr	2300 mA/Hr 8hrs/4800 scans	2200 mA/Hr Li-Ion	10 hrs/ Li-Ion
Minimum Element Width	1D: 3.0 mil 2D: 4.2 mil	1D: 5.0 mil 2D: 10.0 mil	1D: 5.0 mil 2D: 5.0 mil	1D: 5.0 mil 2D: 6.6 mil
Working Range	13mil UPC: 1.0" - 6.0" 10 mil DM: 2.0" - 5.0"	13 mil UPC: 0" - 11.8" 10mil DM: n/a	13mil UPC: 0.8" - 14.5" 10 mil DM: 1.2" - 5.0"	13mil UPC: 1.8" - 12.8" 10 mil DM: 2.0" - 8.3"
Detachable Handle	YES	NO	NO	NO
Cabled Version	YES	Different Model	Different Model	Different Model
Batch/Storage	YES	NO	NO	NO
Vibration on Good Read	YES	NO	NO	NO
Symbologies	Omnidirectional of 1D/2D/Postal/OCR	Omnidirectional of 1D/2D/Postal/OCR	Omnidirectional of 1D/2D/Postal/OCR	Omnidirectional of 1D/2D/Postal/OCR
Warranty	3 Years	Unknown	3 Years	1 Year
Power Requirements	1400 mW (typical)	2000 mW (typical)	Unknown	Unknown
Drop	6 ft.	5 ft.	6.5 ft.	6.5 ft.

Code Reader 2500™ Ordering Information

CR2500 SKU Description:



Popular CR2500 Packages:

SKU	SKU Description
CR2512G-HX-B0-RX-C0-F1	CR2500, no Handle, Battery Blank, no Radio, 6' USB Cable
CR2512G-H2-C0-F1	CR2500, Ruggedized Handle, no Radio, 6' USB Cable
CR2512G-HX-B2-RX-C0-F1, CR2AG-A2	CR2500, no Handle, 1950 mAh Battery, no Radio, 6' USB Cable 2-Bay Charger with US Power Supply
CR2512G-BH1-RX-C0-F1, CR2AG-A32	CR2500, 1950 mAh Battery Handle, no Radio, 6' USB Cable Presentation Battery Handle Charger with US Power Supply
CR2512G-HX-B2-R0-C0-F1, CR2AG-A22, BTHDG-M3-R0-C0	CR2500, no Handle, 1950 mAh Battery, Radio, 6' USB Cable Single Bay Charger with US Power Supply M3 Bluetooth Modem, 6' USB Cable
CR2512G-BH1-R0-C0-F1, CR2AG-A32, BTHDG-M3-R0-C0	CR2500, 1950 mAh Battery Handle, Radio, 6' USB Cable Presentation Battery Handle Charger with US Power Supply M3 Bluetooth Modem, 6' USB Cable

CR2500 Accessories:



Code Reader 3500™ Overview

Product Overview:



Size: 1.6" h x 4.9" d x 1.8" w
Weight: 4.6 oz (185 gm)
Warranty: 2 Years

The Code Reader 3500 (CR3500) establishes a new benchmark for Portable Data Terminals and Hand Held Computers by combining Code's new high-performance bar code reading technology with a graphic display and rugged keyboard. The CR3500 is the smallest and lightest full-featured bar code reading terminal on the market and the only batch PDA in its class with a 2D area imager.

Using the same ergonomic platform and imaging system as the Code Reader 2500, the CR3500 extends mobile all-symbology bar code reading to include information display and keyboard entry. The CR3500 excels in batch, cabled or wireless modes. Wireless readers are available with a Bluetooth Class I or Class III radio. The Code XML Bluetooth Modem enables simplified wireless transmission of captured data to a host computer or system.

In Healthcare applications, the rugged design and disinfectant resistant housing can give you peace of mind knowing that the CR3500 can operate reliably 24/7/365.

Position in Code's product line:

With 10MB of batch data and JavaScript memory, the CR3500 is an ideal reader for applications requiring a wireless or batch solution. The CR3500's graphic display allows end-users to quickly toggle between multiple applications to expedite workflow, and eliminate data entry errors.

The CR3500 is an ideal bar code reader for inventory management, manufacturing, public safety, industrial automotive and defense environment.



CR1200

CR2500

CR3500

Features and Benefits:

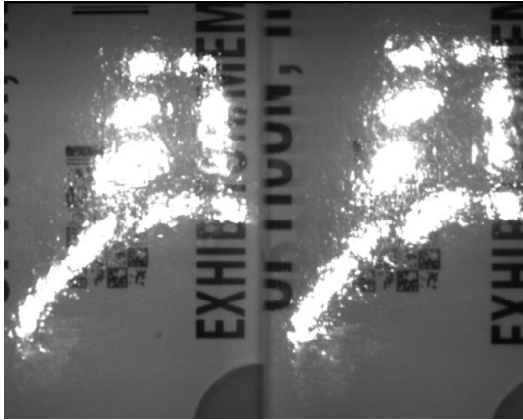
The CR3500:

- Reads and decodes all bar code symbologies
- Excels in batch, cabled or wireless modes
- Modular design allows reader to never be out of service when charging battery
- 'Good Read' user feedback in vibration, visual and audible modes
- 4MB of batch data and JavaScript memory
- JavaScript platform allows for easy integration with enterprise software
- Continuous scan mode option for presentation scanning
- Firmware is field upgradeable
- Data output via Bluetooth, USB, RS-232, and PS/2
- Graphic display and keyboard pad

Code Reader 3500™ Competitive Advantages

Competitive Advantages

Glare Reduction: Items with shiny, curved or warped surfaces can reflect ambient light into the camera and reduce read-rate. The CR3500 is the only 2D Area Imager in the industry equipped with patented glare and reflection reducing technology that significantly increases read rates in these environments.



CR3500 with Anti-Glare OFF



CR3500 with Anti-Glare ON

Vibration on Good Read: The CR3500 is equipped with a vibrating motor for noisy environments where the typical beep tone is not loud enough, or quiet hospital environments where sleeping patients can remain undisturbed during bedside scanning of wristbands.

Dual-Lens Technology: The CR3500 has a patented dual-lens design giving the user both high-density and standard range decoding built into 1 unit. The competition typically needs multiple units to cover the same range of bar code size (large and very small) covered by a single CR2500.

Bluetooth: Code was the first company to introduce an Area Imager with Bluetooth wireless technology over 5 years ago. Code has been a leader in Bluetooth and has multiple OEMs that use its Bluetooth Modem and Router Software worldwide.

Dynamic Optimization Technology: DOT automatically improves decode performance by continually processing resolution, illumination, and image field settings for the fastest possible symbol identification. From the moment you turn on your reader, you are taking full advantage of the 1.3 megapixel imager and 400 MHz processor. DOT achieves decoding speeds for 2D codes that are similar to speeds usually only seen in laser/1D readers.

Disinfectant Resistant Housing – For applications that require cleaning with disinfectants, the CR3500 housing will not degrade when using cleaning agents with Isopropyl Alcohol or Ethyl Alcohol (Denatured Grade).

Code Reader 3500™ Competitive Advantages

Modular Design:

- **Removable Handles:** Attach a handle for typical hand-held scanner operation, or the handle can be removed quickly fit in the hand like a candy-bar, reducing fatigue and providing easier access to the buttons on the top surface of the unit.
- **Replaceable Battery Packs:** Wireless units have replaceable battery packs for both hand-held and “candy bar” usage. The hand-held battery pack has an option for an industry-leading 3900 mA-hour battery option.
- **Field Serviceable:** quick-disconnect cables and other easy-to-replace accessories make repairs a snap.
- **Upgrades:** The design allows for an easy transition from Cabled to Bluetooth or vice versa without the need to replace the entire device. Simply replace the handle and battery. Firmware can be uploaded from a standard PC.
- **Batch:** The 3500 is a batch PDA, too. With 10MB of RAM, the CR3500 can also be used to handle any inventory or other data collection needs.

Programmable Buttons: The CR3500 has multiple buttons on the upper surface of the unit that can be programmed for various tasks, such as simulated keystrokes, triggering the unit and more, making the device more versatile than typical hand-held devices on the market today.

Power Requirements: The CR3500 has significantly reduced power requirements, thus limiting the battery drain on mobile devices/carts and reducing overall costs when deployed throughout your operation.

Advanced Programming with JavaScript: JavaScript is recognized as the leading procedural language for cross-platform development. JavaScript is used to develop interaction with the user, control the logic of input processing, add encryption, display messages to the user, perform look-up and other validation functions, and control the interaction with a remote host either through cabled or radio frequency (Bluetooth) communications. Applications are developed without the overhead and porting problems inherent with Windows Pocket PC, Linux and CE.NET.

Code Reader 3500™ Key Differentiators

Key Differentiators : CR3500 vs. Competitors



Feature	Code CR3500	Honeywell ScanPal 2	Honeywell SP5500	Motorola MC1000	Unitech HT580
Vibrating Motor on Good Reads	★				
Glare Reduction Technology	★				
Decodes 2D Bar Codes	★				
Dynamic Optimization Technology	★				
Bluetooth Option	★				★
Attachable Handle	★				
Memory	10 MB	1 MB	2 MB	32 MB ★	2 MB
Weight	6.6 oz.	6.3 oz.	4.9 oz. ★	7.2 oz.	5.3 oz.
Durability	Withstands 6 ft Drop ★	4 ft Drop	4 ft Drop	4 ft Drop	4 ft Drop
Minimum Element Width	1D: 3.0 mil 2D: 4.2 mil ★	1D: 5.2	1D: 5.2	1D: 5.0	1D: 5.0

Code Reader 3500™ Competitive Cross Reference Table

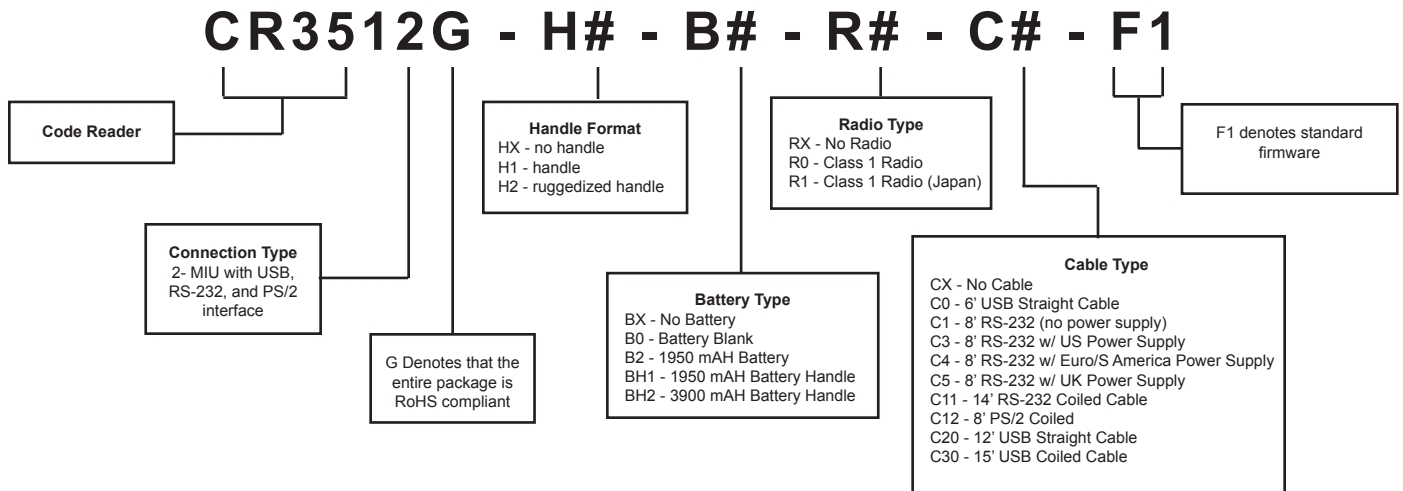
Competitive Cross Reference Table



	Code CR3500	Honeywell ScanPal 2	Honeywell SP5500	Motorola MC1000	Unitech HT580
Imager Resolution	2x (640 x 1024)	Single Line Laser or Linear CCD	Single Line Laser	Single Line Laser	Single Line CCD
Weight	6.6 oz (no handle) 9.4 oz (w/ handle)	6.3 oz	4.9 oz	7.23 oz	5.3 oz
Dimensions	1.6"H x 4.9"L x 1.8"W	5.7"H x 2.5"L x 1.3"W	5.4"H x 2.2"L x 1.1"W	6.4"H x 2.5"L x 1.5"W	4.8"H x 2.8"L x 1"W
Advanced Programming	CodeXML Rules or JavaScript	PC Based Application Developer	PC Based Application Developer	MCL Rapid App Development	Unitech EasyJob App Developer
Battery	1950 mA/Hr or 3900 mA/Hr	Uses 3 AAA batteries	700 mA-Hr	1800 mA-Hr	730 mA-Hr
Minimum Element Width	1D: 3.0 mil 2D: 4.2 mil	1D: 5.2 mil	1D: 5.2 mil	1D: 5.0 mil	1D: 5.0 mil
Working Range	13mil UPC: 1.0" - 6.0" 10 mil DM: 2.0" - 5.0"	13 mil UPC: 2" - 15" or 1.2" - 6.3"	13mil UPC: 2.0" - 10.0"	Unknown	13 mil UPC: 2.0" - 8.0"
Screen Size	128 x 128 pixels monochrome	128 x 64 pixels monochrome	100 x 64 pixels monochrome	240 x 240 pixels monochrome	128 x 64 pixels monochrome
Number of Keys	21 keys shifted alpha-numeric	21 keys shifted alpha-numeric	21 keys shifted alpha-numeric	21 keys shifted alpha-numeric	18 keys shifted alpha-numeric
Memory	10 MB	1 MB	2 MB	32 MB	2 MB
Attachable Handle	YES	NO	NO	NO	NO
Cabled Version	YES	NO	NO	NO	NO
Vibration on Good Read	YES	NO	NO	NO	NO
Bluetooth-option	YES	NO	NO	NO	YES
Symbologies	Omnidirectional of 1D/2D/Postal/OCR	1D Only	1D Only	1D-Only	1D-Only
Warranty	3 Years	1 Year	1 Year	Unknown	Unknown
Drop	6 ft.	4 ft.	4 ft.	4 ft.	4 ft.

Code Reader 3500™ Ordering Information

CR3500 SKU Description:



Popular CR3500 Packages:

SKU	SKU Description
CR3512G-HX-B0-RX-C0-F1	CR3500, no Handle, Battery Blank, no Radio, 6' USB Cable
CR3512G-H2-C0-F1	CR3500, Ruggedized Handle, no Radio, 6' USB Cable
CR3512G-HX-B2-RX-C0-F1, CR2AG-A2	CR3500, no Handle, 1950 mAh Battery, no Radio, 6' USB Cable 2-Bay Charger with US Power Supply
CR3512G-BH1-RX-C0-F1, CR2AG-A32	CR3500, 1950 mAh Battery Handle, no Radio, 6' USB Cable Presentation Battery Handle Charger with US Power Supply
CR3512G-HX-B2-R0-C0-F1, CR2AG-A22, BTHDG-M3-R0-C0	CR3500, no Handle, 1950 mAh Battery, Radio, 6' USB Cable Single Bay Charger with US Power Supply M3 Bluetooth Modem, 6' USB Cable
CR3512G-BH1-R0-C0-F1, CR2AG-A32, BTHDG-M3-R0-C0	CR3500, 1950 mAh Battery Handle, Radio, 6' USB Cable Presentation Battery Handle Charger with US Power Supply M3 Bluetooth Modem, 6' USB Cable

CR3500 Accessories:



Appendix A

Code Reader 1200™
PowerPoint Presentation

Appendix B

Code Reader 2500™ and Code Reader 3500™
PowerPoint Presentation

Appendix C

Bar Coded Medication Administration Quick Start Guide

Appendix D

Electronic Copy of the
Code Product Guide