

User Manual

code



Code Reader™ 1000

Manual Version 05

Release Date: July 2013

Statement of Agency Compliance



The Code Reader™ 1000 (CR1000) has been tested for compliance with FCC regulations and was found to be compliant with all applicable FCC Rules and Regulations.

IMPORTANT NOTE: To comply with FCC RF exposure compliance requirements, this device must not be co-located or operate in conjunction with any other antenna or transmitter.

CAUTION: Changes or modifications not expressly approved by the party responsible for compliance could void the user's authority to operate the equipment.



The Code Reader 1000 has been tested for compliance to CE standards and guidelines and was found to conform to applicable CE standards, specifically the EMC requirements EN 55024, ESD EN 61000-4-2, Radiated RF Immunity EN 61000-4-3, ENV 50204, EFT EN 61000-4-4, Conducted RF Immunity EN 61000-4-6, EN 55022, Class B Radiated Emissions, and Class B Conducted Emissions.

Code voids product warranty if the hard case has been opened or tampered with in any way.

In addition, a CB Test Certificate has been issued by the National Certification Board (NCB) indicating CR1000 meets all safety and quality standards in accordance to IEC 60950-1:2001, First Edition.

Code Reader™ 1000 User Manual

Copyright © 2013 Code Corporation.

All Rights Reserved.

The software described in this manual may only be used in accordance with the terms of its license agreement.

No part of this publication may be reproduced in any form or by any means without written permission from Code Corporation. This includes electronic or mechanical means such as photocopying or recording in information storage and retrieval systems.

NO WARRANTY. This technical documentation is provided AS-IS. Further, the documentation does not represent a commitment on the part of Code Corporation. Code Corporation does not warrant that it is accurate, complete or error free. Any use of the technical documentation is at the risk of the user. Code Corporation reserves the right to make changes in specifications and other information contained in this document without prior notice, and the reader should in all cases consult Code Corporation to determine whether any such changes have been made. Code Corporation shall not be liable for technical or editorial errors or omissions contained herein; nor for incidental or consequential damages resulting from the furnishing, performance, or use of this material. Code Corporation does not assume any product liability arising out of or in connection with the application or use of any product or application described herein.

NO LICENSE. No license is granted, either by implication, estoppel, or otherwise under any intellectual property rights of Code Corporation. Any use of hardware, software and/or technology of Code Corporation is governed by its own agreement.

The following are trademarks or registered trademarks of Code Corporation:

CodeXML®, Maker, QuickMaker, CodeXML® Maker, CodeXML® Maker Pro, CodeXML® Router, CodeXML® Client SDK, CodeXML® Filter, HyperPage, CodeTrack, GoCard, GoWeb, ShortCode, GoCode®, Code Router, QuickConnect Codes, Rule Runner®, Cortex®, CortexRM, CortexMobile, Code, Code Reader, CortexAG, CortexStudio, CortexTools, Affinity®, and CortexDecoder.

All other product names mentioned in this manual may be trademarks of their respective companies and are hereby acknowledged.

The software and/or products of Code Corporation include inventions that are patented or that are the subject of patents pending. U.S. Patents: 6997387, 6957769, 7428981, 6619547, 6736320, 7392933, 7014113, 7240831, 7353999, 7519239, 7204417, 6942152, 7070091, 7097099, 7621453, 8001550, 8011584

The Code Reader software uses the Mozilla SpiderMonkey JavaScript engine, which is distributed under the terms of the Mozilla Public License Version 1.1.

The Code Reader software is based in part on the work of the Independent JPEG Group.

Code Corporation, 14870 South Pony Express Road, Suite 200, Bluffdale, UT 84065

www.codecorp.com



Table of Contents

- 1.0 - Unpacking..... 1
- 2.0 - Attaching/Detaching a Cable..... 1
- 3.0 - Powering the Reader On/Off..... 1
- 4.0 - Using a CR1000 Out of a Stand 2
- 5.0 - Using a CR1000 in a Stand 2
- 6.0 - Reading Range 3
- 7.0 - Reader Feedback 3
- 8.0 - Symbologies Defaulted On 4
- 9.0 - Symbologies Defaulted Off..... 4
- 10.0 - Locating the Hardware Revision Number 4
- 11.0 - Reader ID & Firmware Version 5
- 12.0 - Hole Mounting Pattern..... 6
- 13.0 - CR1000 Overall Dimensions 6
- 14.0 - USB Cable Example with Pinouts..... 7
- 15.0 - RS232 Cable Example with Pinouts 7
- 16.0 - Reader Pinouts 8
- 17.0 - Maintenance..... 8
- 18.0 - Warranty 9

1.0 - Unpacking

Remove the CR1000 from its packing and inspect it for damage. If the reader was damaged during shipping, please call Code at (801) 495-2200.

Depending on the kit ordered, a USB or RS232 Affinity® cable has been included with your reader.



USB Affinity® Cable



RS232 Affinity® Cable
w/ Power Supply

2.0 - Attaching and Detaching a Cable

To attach a cable, plug the RJ-50 end of the Affinity® cable into bottom of the reader (Figure 1). Firmly push the connector into the reader, until a snap can be heard to indicate the cable is properly attached. To detach a cable, press a paper clip into the hole on the back of the CR1000 (Figure 2), and gently pull the cable from the reader.



Figure 1



Figure 2

3.0 - Attaching Cable and Powering On/Off the Reader

For USB Cable: plug the USB end of the Affinity® cable into a USB port on the host device. After several seconds, the reader will beep twice, the LED will turn off and the CR1000 is ready for use.

For RS232 Cable: plug the power supply into the AC outlet, plug the power supply cord into the barrel jack of the cable, and connect the RS232 connector to the appropriate serial port on the host device. After several seconds, the reader will beep twice, the LED will turn off and the CR1000 is ready for use.

4.0 - Using a CR1000 Out of a Universal Stand



Press and hold the button on the top of the CR1000, the two blue bars emitting from the reader are used for targeting. Center the blue bars in the middle of a bar code. The optimal reading distance from reader to bar code is approximately 4.0" (10 cm).

Once the reader is at the optimal distance, the reader will read the bar code. The CR1000 will beep and flash a green LED to indicate a 'good read' has occurred.

To modify any default settings, download the CR1000 Configuration Guide at www.codecorp.com/files.php and scan the appropriate code.

5.0 - Using a CR1000 in a Universal Stand

Revision 3 Hardware of the CR1000 has a stand detection feature. By default, when the CR1000 is placed in the stand, the reader will enter into motion detection mode. When in this mode, simply place a bar code in the scan field to activate the reader. The CR1000 will beep and flash a green LED to indicate a 'good read' has occurred.

When the CR1000 is removed from the stand, the reader switches to manual mode and the button must be pressed to read a bar code (refer to Section 4.0).

Revisions 1 and 2 Hardware of the CR1000 do not have a stand detection feature to enable motion detection reading when the CR1000 is in a stand. To configure these hardware revisions for motion detection scanning, please refer to the CR1000 Configuration Guide, located at www.codecorp.com/files.php and scan the appropriate code.



See Section 10.0 to learn how to determine your CR1000 hardware revision number.

6.0 - Reading Ranges

CR1000 Performance		
Test Code	Min Inches (mm)	Max Inches (mm)
3 mil Code 39	3.1" (80 mm)	4.0" (102 mm)
7.5 mil Code 39	1.3" (33 mm)	7.2" (182 mm)
10.5 mil GS1 DataBar	0.8" (20 mm)	8.7" (220 mm)
13 mil UPC	1.1"(28 mm)	11.0" (280 mm)
4.2 mil Data Matrix	1.9" (48 mm)	4.3" (110 mm)
5 mil Data Matrix	1.7" (43 mm)	4.5" (115 mm)
6.3 mil Data Matrix	1.3" (33 mm)	5.9" (150 mm)
10 mil Data Matrix	0.8" (20 mm)	7.1" (180 mm)
20.8 mil Data Matrix	1.1" (28 mm)	13.5" (343 mm)

Note: working ranges are a combination of both the wide and high density fields. All samples were high quality codes and were read along a physical center line at a 10° angle. Default AGC settings were used. Accuracy= +/- 10%.

7.0 - Reader Feedback

Scenario	Top LED Light	Sound
CR1000 Successfully Powers Up	Green LED Flashes	1 Beep
CR1000 Successfully Enumerates with Host (via cable)	Once Enumerated, the Green LED turns Off	1 Beep
Attempting to Decode	Green LED Light is Off	None
Successful Decode and Data Transfer via Cable	Green LED Flashes	1 Beep
Configuration Code Successfully Decoded and Processed	Green LED Flashes	2 Beep
Configuration Code successfully decoded but wasn't successfully processed	Green LED Flashes	4 Beeps

8.0 - Symbolologies Defaulted On

The following are symbolologies that have a default of ON. To turn symbolologies on or off, scan the symbology bar codes located in the CR1000 Configuration Guide located at website at <http://www.codecorp.com>.

Codabar	All GS1 DataBar
Code 39	Interleaved 2 of 5
Code 93	MSI Plessey
Code 128	PDF417
Data Matrix	QR Code
Data Matrix Rectangle	UPC/EAN/JAN

9.0 - Symbolologies Defaulted Off

The following are symbolologies that have a default of OFF. To turn symbolologies on or off, scan the symbology bar codes located in the CR1000 Configuration Guide located at website at <http://www.codecorp.com>.

Australian Post	Micro PDF417
Aztec	Micro QR
Aztec Inverse	Pharmacode
Code 11	PLANET
Code 32	Plessey
Code 39 Extended Full ASCII	POSTNET
Code 39 Checksum	QR Code Inverse
Composite	Straight 2 of 5
Data Matrix Inverse	Telepen
Han Xin	Trioptic
Hong Kong 2 of 5	UK Royal Mail
Intelligent Mail	UPC-E Expansion
Japan Post	UPC Supplemental
KIX Code	
Matrix 2 of 5	

10.0 - Locating the Hardware Revision Number

Locate the serial label on the bottom of the reader to identify the hardware revision number of the CR1000.



The number after the underscore (_) represents the hardware revision number.

11.0 - Reader ID and Firmware Version

To find out the Reader ID and firmware version, open a text editor program (i.e., Notepad, Microsoft Word, etc.) and read the following code:

Reader ID and Firmware



You will see a text string indicating your firmware version and CR1000 ID number (see below):

iVVVVVWWWWXXXXSSSSSSSSSSAOODYYYYHHIIJJJKKKLLLL<TAB>Z...Z

i indicates 'I' string output;

VVVV is the application firmware version number;

WWWW is the core application firmware version number;

XXXX is reserved for the radio firmware version number;

SSSSSSSS is the Reader's serial number (ten digits);

A is the current execution state: "A" means core is running
"B" means undefined
"C" means undefined

OO is the OEM identifier;

D is the display type: "O" or "N" is no display device
"D" is the standard Keypad/Display

YYYY is the flash file system version number. Reserved;

HH is the hardware revision;

IIII is the hardware type identifier: 0007 indicates a CR1000

JJJJ is the boot application version;

KKKK is the operating system kernel version;

LLLL is the root file-system version;

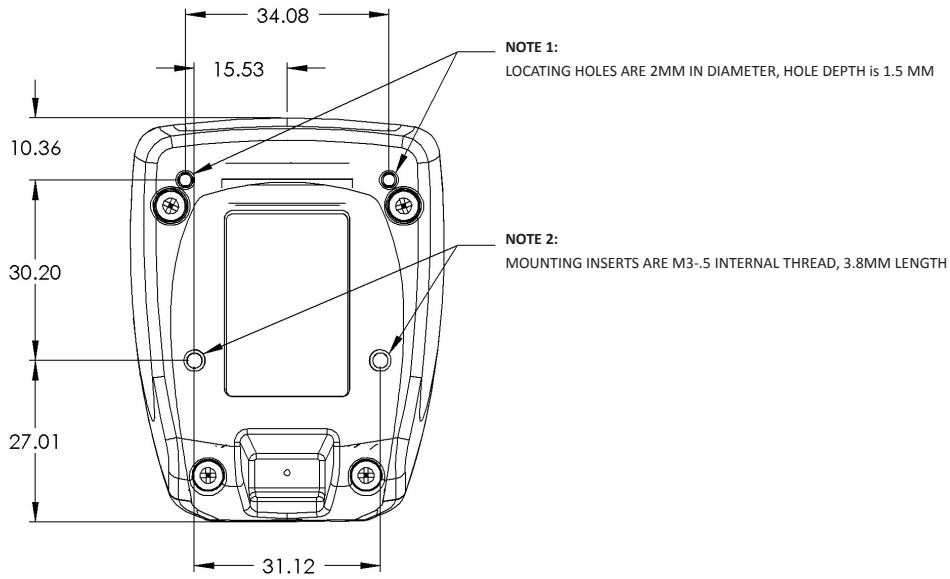
<TAB> is the ASCII TAB character;

Z...Z is the OEM decoder version: a null terminated string of printable ASCII characters. Without a decoder.ini file, the order of the decoders listed here indicates the order of use.

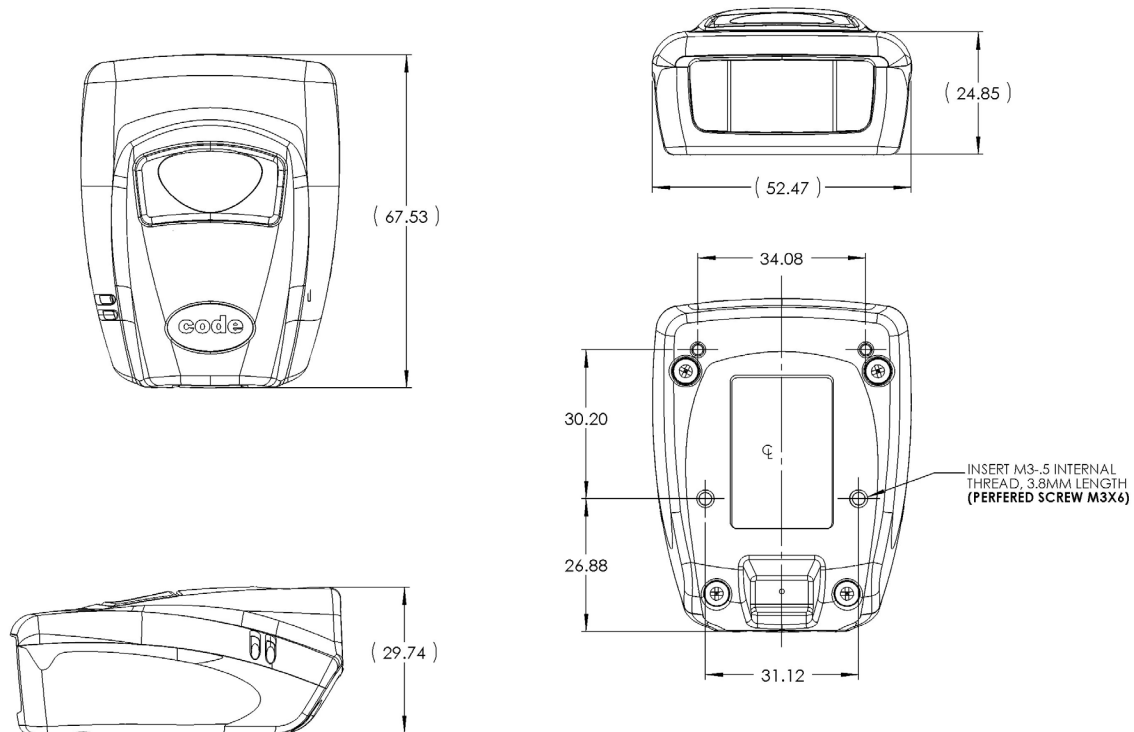
Example: Xap/i3000300006040010002363A06D-SD+SQ

Note: Code will periodically release new firmware for CR1000 readers. For information on latest firmware versions, call Code at (801) 495-2200. To upgrade firmware, please visit our website at <http://www.codecorp.com/codesupport.php> and follow instructions provided.

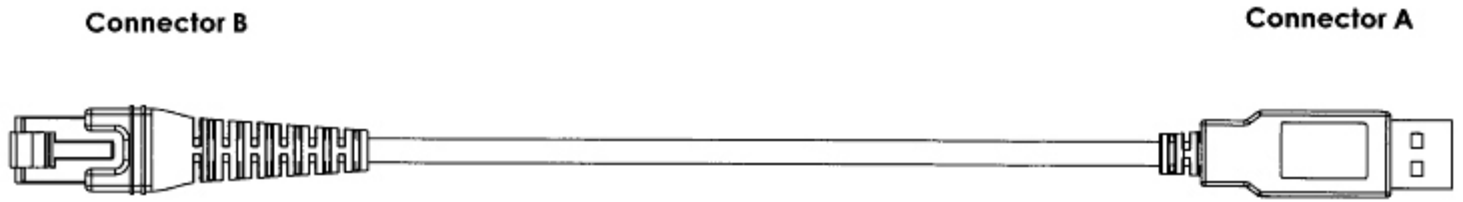
12.0 - CR1000 Hole Mounting Pattern



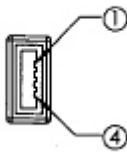
13.0 - CR1000 Overall Dimensions



14.0 - USB Cable Example with Pinouts



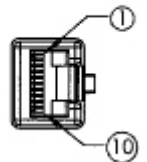
Connector A



WIRING TABLE:

CONNECTOR A	NAME	WIRE	COLOR	CONNECTOR B
1	VIN	24AWG	RED	1
2	DM	28AWG	WHITE	2
3	DP	28AWG	GREEN	3
4	GND	24AWG	BLACK	10
SHELL	-	SHIELD	BARE	SHELL

Connector B



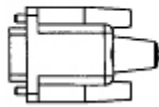
See Section 16.0 for complete reader pinouts descriptions.

NOTES:

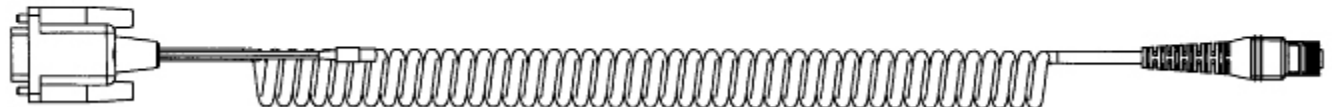
1. Part to be ROHS and Reach compliant.
2. Maximum Voltage Tolerance = 5V +/- 10%.
3. Caution: Exceeding the maximum voltage will void manufacturer warranty.

15.0 - RS232 Cable Example with Pinouts

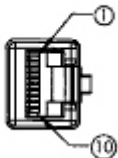
Connector B



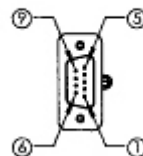
Connector A



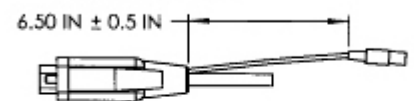
Connector A



Connector B



Connector C



- MATING PLUG OD: 5.5 mm
- CENTER PIN OD 2.0 mm, LENGTH 8.5 mm.
- INPUT: + 5V --- MIN 500 mA



WIRING TABLE:

CONN A	NAME	WIRE	COLOR	CONN B	WIRE	COLOR	CONN C
1	VIN	24AWG	RED	9	24AWG	RED	TIP
4	TX	28AWG	BROWN	2			
5	RTS	28AWG	ORANGE	8			
6	RX	28AWG	YELLOW	3			
7	CTS	28AWG	GREEN	7			
10	GND	24AWG	BLACK	5	24AWG	BLACK	RING
SHIELD	-	SHIELD		SHIELD			

See Section 16.0 for complete reader pinouts descriptions.

NOTES:

1. Part to be ROHS and Reach compliant.
2. Maximum Voltage Tolerance = 5V +/- 10%.
3. Caution: Exceeding the maximum voltage will void manufacturer warranty.

16.0 - Reader Pinouts

The connector on the CR1000 is an RJ-50 (10P-10C). The pinouts are as follows:

Pin 1	+VIN (5v)
Pin 2	USB_DM
Pin 3	USB_DP
Pin 4	RS232 TX (output from reader)
Pin 5	RS232 RTS (output from reader)
Pin 6	RS232 RX (input to reader)
Pin 7	RS232 CTS (input to reader)
Pin 8	External Trigger (active low input to reader)
Pin 9	N/C
Pin 10	Ground

17.0 - CR1000 Maintenance

The CR1000 device needs only a minimum of maintenance to operate. A few tips are given below for maintenance suggestions.

Cleaning the CR1000 Window

The CR1000 window should be clean to allow the best performance of the device. The window is the clear plastic piece inside the head of the reader. Do not touch the window. Your CR1000 uses CMOS technology that is much like a digital camera. A dirty window may stop the CR1000 from reading bar codes.

If the window becomes dirty, clean it with a soft, non-abrasive cloth or a facial tissue (no lotions or additives) that has been moistened with water. A mild detergent may be used to clean the window, but the window should be wiped with a water moistened cloth or tissue after using the detergent.

The following agents are approved to clean a Code bar code reader:

- Alcohol Wipes
- Clorox® Disinfecting Wipes
- Clorox Bleach Solution (10% clorox bleach, 90% tap water)
- Medical DiAirKem
- Sani-Cloth® HB, Super Sani-Cloth® Germicidal, Sani-Cloth® Plus Germicidal Disposable Wipes
- Virex® II Disinfectant Cleaner

Technical Support and Returns

For returns or technical support call Code Technical Support at (801) 495-2200. For all returns Code will issue an RMA number which must be placed on the packing slip when the reader is returned.

Visit <http://www.codecorp.com/codesupport.php> for more information.

18.0 - Warranty*

The CR1000 carries a standard two year limited warranty as described herein. Customers may purchase either a one or two year CodeOne extended warranty plan. Please contact a Code representative for more information.

Universal Stands follow the warranty of the reader, and Cables have a 90 Day warranty period.

Limited Warranty

Code manufactures its hardware products in accordance with industry-standard practices. Code warrants its products will be free from defects in materials and workmanship, provided that the products are used under normal operating condition intended by the Manufacturer. This warranty is provided to the original owner only and is not transferable to any third party. This warranty is subject to any and all accompanying disclaimers, limitations and other terms of this section.

Warranty periods are not extendable beyond 5 years. CodeOne extended warranty programs are available and must be purchased within 90 days of purchase. Please refer the CodeOne Data Sheet for program pricing and terms and conditions.

Exclusions

No warranty herein contained or set out shall apply to any product (i) which has been repaired, altered or tampered with unless done or approved by Code, (ii) which has not been maintained in accordance with any operating or handling instructions supplied by Code, (iii) which has been subjected to unusual physical or electrical stress, immersion in fluids, puncture, crushing, misuse, abuse, power shortage, improper power supply such as incorrect voltage or wrong polarity, negligence or accident, or (iv) which has been used other than in accordance with the product operating and handling instructions. Preventive maintenance is the responsibility of the customer and is not covered under this warranty.

Warranty Coverage and Procedure

During the warranty period, Code will repair or replace defective products returned to Code's service center in the US. For worldwide warranty service, go to <http://www.codecorp.com/technical-support.php> and fill out a service request. Customer will be issued a case number. Case will be routed into the support queue within Code. Customer will be contacted within one business day of submission. Code representative will work with customer to troubleshoot solution and attempt to restore reader to proper functionality. If the Code representative determines that it cannot be restored programmatically and deems a hardware issue is found a Return Material Authorization (RMA) Number will be assigned and customer will be instructed to return the product to Code.

Products must be shipped in the original or comparable packaging, with shipping and insurance charges prepaid. Only parts listed in the original RMA should be sent and will be accepted. Code will pay for return shipping and insurance of repaired or replacement products worldwide. Code will use new or refurbished parts at its discretion and will own all parts removed from repaired products. Customer will pay for any pre-shipped replacement product in case it does not return the replaced product to Code within 7 days of receipt of the replacement product. The process for return and customer's charges will be in accordance with Code's Exchange Policy in effect at the time of the exchange. Customer accepts full responsibility for its software and data including the appropriate backup thereof. Repair or replacement of a product during warranty will not extend the original warranty term.

Return time frames are listed in the chart above. For RMA's not covered under warranty as outlined in the exclusion section, customer will be required to pay the non-covered warranty fee as listed in the chart above.

General

EXCEPT FOR THE WARRANTIES STATED ABOVE, CODE DISCLAIMS ALL WARRANTIES, EXPRESS OR IMPLIED, ON PRODUCTS FURNISHED HEREUNDER, INCLUDING WITHOUT LIMITATION IMPLIED WARRANTIES OF MERCHANTABILITY AND FITNESS FOR A PARTICULAR PURPOSE AND NON-INFRINGEMENT.

The stated express warranties are in lieu of all obligations or liabilities on part of Code for damages, including without limitation, special, indirect, or consequential damages arising out of or in connection with the use or performance of the product. Seller's liability for damages to buyer or others (regardless of the form of action, whether by contract, warranty, tort, malpractice, and/or otherwise) resulting from the use of any product, shall in no way exceed the purchase price of said product. In no event shall Code be liable for any consequential, special, indirect, incidental or punitive damages, or for any loss of profits, revenue or data, even if Code has been advised of the possibility thereof.

*Warranty periods are North America specific.