

## AT-WA7500 Access Point Quick Install Guide

### Overview

Allied Telesyn's AT-WA7500 Access Point delivers reliable and seamless wireless performance. The AT-WA7500 is powered by power over Ethernet to make installation easier. Designed for standards-based connectivity, the access point features two radio slots and supports the following types of radios:

- IEEE 802.11g
- IEEE 802.11a

The IEEE 802.11g radio is Wi-Fi certified for interoperability with other 802.11g wireless LAN devices. For further information, refer to the **AT-WA7500 and AT-WA7501 Installation and User's Guide**.

This quick install guide helps you to understand the AT-WA7500 ports and LEDs. You can also use this guide to get an overview of how to install the access point, how to connect the access point to power and to your network, and how to set the initial IP address.

### Related Documents

The Allied Telesyn web site at [www.alliedtelesyn.com](http://www.alliedtelesyn.com) contains the most recent documents, software, and technical information for all of our products. For details on the features and functions of your AT-WA7500 access point, refer to the following guide:

- AT-WA7500 and AT-WA7501 Installation and User's Guide**  
PN 613-000066

For a complete list of antennas and antenna accessories for the AT-WA7500, refer to the following guide:

- Antenna and Cable Application Guide for the AT-WA7500, AT-WA7501, and AT-WL2411 Access Points**  
PN 613-50537-00

This guide is also available at [www.alliedtelesyn.com](http://www.alliedtelesyn.com).

### Management Software Updates

New releases of management software for our managed products can be downloaded from the following Internet sites:

- Allied Telesyn web site: [www.alliedtelesyn.com](http://www.alliedtelesyn.com)
- Allied Telesyn FTP server: <ftp://ftp.alliedtelesyn.com>

To download new software from the Allied Telesyn FTP server from your workstation's command prompt, you will need FTP client software. You are asked to log in to the server. Enter 'anonymous' as the user name and your e-mail address for the password.

### Package Contents

Make sure the following items are included in the shipping package. If any item is missing or damaged, contact your Allied Telesyn sales representative for assistance.

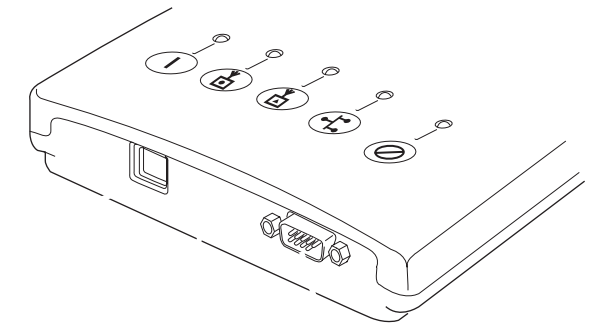
- One AT-WA7500 Access Point
- Mounting bracket and shoulder screws (4)
- Four protective rubber feet
- This Quick Install Guide
- One Documentation CD
- Warranty Card

#### Note

The AT-WA7500 does not ship with an antenna (except one 802.11a radio configuration that ships with non-removable antennas). For a complete list of antennas and antenna accessories, contact your Allied Telesyn sales representative or refer to the *Antenna and Cable Application Guide for the AT-WA7500, AT-WA7501, and AT-WL2411 Access Points*.





### Defining the LEDs and Ports

Figure 1 illustrates the AT-WA7500 LEDs and ports. Table 1 describes the LEDs and Table 2 describes the ports.



**Figure 1** AT-WA7500 LEDs and Ports

**Table 1** LED Descriptions

Icon	LED	Description
	Power	Remains ON when power is applied.
	Wireless #1 or Radio	Flashes when a frame is transmitted or received on the radio port for the radio installed in radio slot 1.
	Wireless #2	Flashes when a frame is transmitted or received on the radio port for the radio installed in radio slot 2 (if a second radio is installed).
	Wired LAN	Flashes when a frame is transmitted or received on the Ethernet port.
	Root/Error	Flashes if this device is configured as the root. May also remain ON if an error is detected.

**Table 2** Port Descriptions

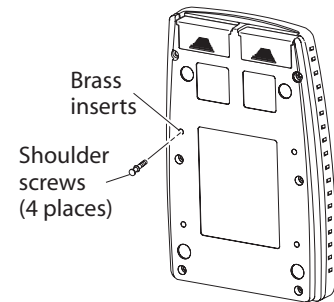
Port	Description
10Base-T/100Base-TX	Used with an appropriate cable, this RJ-45 port connects the access point to your Ethernet network. The access point Auto-negotiates with the device it is communicating with so that the data rate is set at the highest rate at which both devices can communicate.
Serial	Used with an RS-232 null-modem cable, this port connects the access point to a terminal or PC to perform configuration.

## Mounting the AT-WA7500

You can place the AT-WA7500 on a stable surface or you can mount it to a wall or beam using the wall bracket.

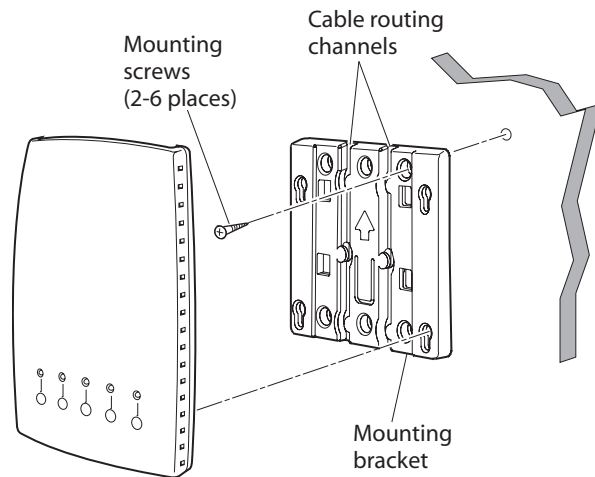
To install the mounting bracket, perform the following procedure:

1. Insert one shoulder screw into each of the brass inserts and tighten securely. Refer to Figure 2 below.



**Figure 2** Bottom of AT-WA7500

2. Using the mounting bracket as a template, mark the location of the mounting holes on the mounting surface.
3. Drill the holes.
4. Position the bracket on the wall with the arrow pointing up and use the mounting screws (not provided) to secure the bracket to the mounting surface. Refer to Figure 3 below.



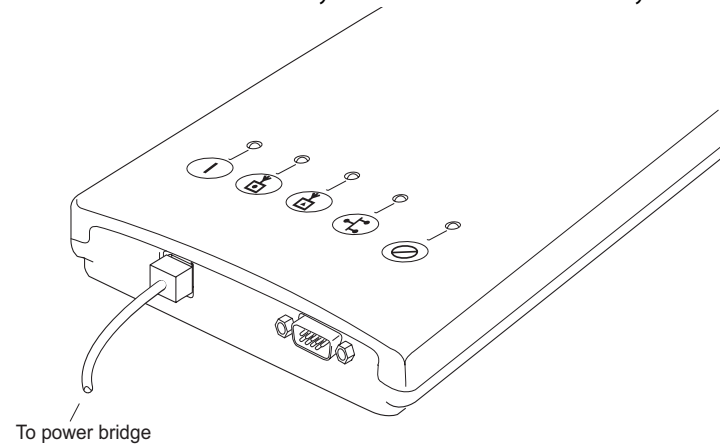
**Figure 3** Installing the Bracket and Access Point

5. Route the cables through the cable routing channels. Refer to Figure 3 above for the location of the Cable Routing Channels.
6. Mount the AT-WA7500 in the bracket by inserting the shoulder screws into the keyhole slots in the bracket. Slide the AT-WA7500 down until it is firmly seated in the bracket.

## Connecting the AT-WA7500

To connect the antenna and cables, perform the following procedure:

1. Attach antennas to the AT-WA7500. Allied Telesyn offer a variety of antennas and antenna accessories. For a complete list, contact your Allied Telesyn sales representative or refer to the *Antenna and Cable Application Guide for the AT-WA7500, AT-WA7501, and AT-WL2411 Access Points*.
2. Connect the AT-WA7500 to your network. Use an Ethernet cable to connect the 10Base-T/100Base-TX Ethernet port to an Ethernet drop. For help connecting the AT-WA7500, refer to the *AT-WA7500 and AT-WA7501 Installation and User's Guide*. This guide can be found on Allied Telesyn's web site at [www.alliedtelesyn.com](http://www.alliedtelesyn.com).



**Figure 4** Connecting to a Power Bridge

3. To power the AT-WA7500, use an Ethernet cable to connect the Ethernet port to a power bridge or another 802.3af-compliant power over Ethernet network. For help, refer to the *AT-WA7500 and AT-WA7501 Installation and User's Guide*.

## Setting an Initial IP Address

To set an initial IP address, perform the following procedure:

1. Install the AT-WA7500 Configuration Wizard on your PC. The wizard can be downloaded either from the documentation CD that is shipped with the access point, or from the ATI web site.
2. Extract the .zip file, double-click the .exe file, and then follow the instructions that appear on your screen.

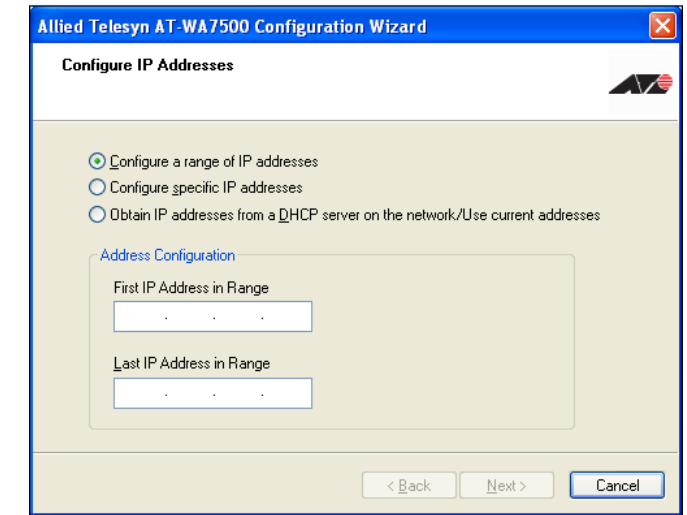
### Note

Your PC must be on the same Ethernet segment as the access point. Or, if your PC is communicating wirelessly with the access point, you must have an active radio connection.

### Note

Before setting the initial IP Address, refer to the "Configuring the Access Point" section in Chapter 1 of the *AT-WA7500 and AT-WA7501 Installation and User's Guide* for the alternative methods of how to configure the access point.

3. Start the wizard. The Allied Telesyn AT-WA7500 Configuration Wizard window, as shown in Figure 5, is displayed.



**Figure 5** Allied Telesyn AT-WA7500 Configuration Wizard

4. Select one of the following IP Address configuration options:
  - Configure a range of IP addresses (default)
  - Configure specific IP addresses
  - Obtain IP addresses from a DHCP server on the network/User current addresses
5. Proceed with the IP Address configuration by following the on-screen menus.

## Technical Specifications

Physical Dimensions:	4.6 cm x 16.0 cm x 25.0 cm (1.81 in x 6.27 in x 9.84 in)
Power over Ethernet electrical rating:	48V DC, 315 mA
Operating temperature:	-20° C to 55° C (-4° F to 131° F)
Storage temperature:	-40° C to 70° C (-40° F to 158° F)
Humidity:	10 to 90% (non-condensing)