



Data Collection Terminal



HARDWARE MANUAL

FCC Warning:

Note: This equipment has been tested and found to comply with the limits for a Class A digital device, pursuant to Part 15 of the FCC rules. These limits are designed to provide reasonable protection against harmful interference when the equipment is operated in a commercial environment. The equipment generates, uses, and can radiate radio frequency energy. If not installed and used in accordance with the instruction manual, it may cause interference with the radio and television reception in a residential area, in which case the user will be required to correct the interference at his or her own expense.

If this equipment causes interference, try to correct the problem by:

- Reorienting the receiving antenna.
- Relocating the terminal with respect to the receiver with which it interferes.
- Plugging the terminal into a different AC outlet, and putting the terminal and receiver on different branch circuits.

FCC Compliance: (on hardware equipped with modem)

This equipment complies with Part 68 of FCC Rules. Upon request, furnish the following information to the telephone company (telco).

- Manufacturer: Acroprint Time Recorder Co., Inc.
- Model: Badger II Terminal
- FCC registration number: 4G3USA-21602-DT-E
- Ringer equivalence: 0.7B
- USOC modular telephone jack: R-J11

Lithium Battery Caution:

This circuit board on this terminal is populated with a lithium battery to protect data or programs stored in the Random Access Memory (RAM). Do not, under any circumstances, attempt to replace the lithium battery in the terminal.

Failure to comply may invalidate your warranty. Battery replacement should be done by qualified personnel wearing the proper eye protection.

CAUTION: Danger of explosion if battery is incorrectly replaced. Replace only with the same or equivalent type recommended by the manufacturer. Discard used batteries according to the manufacturer's instruction.

Declaration Of Conformity According To EMC Directive 89/336/EEC

We declare under our sole responsibility that the magnetic stripe and/or bar code reading and/or data recording equipment Badger II 01-0119-000/003/005/007 to which this declaration relates are in conformity with the following standards: EN55022:1987, EN50082-1, IEC 801-2, IEC 801-3, IEC 801-4, IEC 801-5. I, the undersigned, hereby declare that the equipment specified above conforms to the above directive and standards.

Raleigh, North Carolina USA
October 7, 2002

W. Glenn Robbins

All Rights Reserved. © COPYRIGHT 1996
Acroprint Time Recorder Company

Table of Contents

1. Introduction	4
Basic hardware and variations	4
General specifications	5
2. Setup	6
Site requirements	6
Unpacking and inspection	6
Mounting	7
Power up	7
3. Operator interface	8
ADCT Keypad	8
DataLog Keypad	8
Card reader	9
4. Ports and connections	10
Acroprint Data Collection Terminal setup instructions	10
Ethernet port	13
RS-232 Serial port	14
RS-232 Serial printer cables	15
Local Area Network: RS-485 serial port	16
RS-485 Serial cables	17
Modem port	18
Modem cables	19
Wand port	20
Wand and Y-Cable	21
Parallel port	22
Parallel cable	23
5. Companion products	24
Printer	24
Readers	24
Power Supplies	25
External Relay Box, External Buzzer	25
Cables	26
Cables, Converter, Badge Racks	27

1. Introduction

Basic hardware and variations

The electronic hardware is a new, versatile platform designed for use with various applications. This manual describes, in detail, the electronic hardware aspects of the terminal you have purchased. The details concerning terminal firmware and host software are addressed in the manual which comes with the software.

All terminals are equipped with:

- 1) a magnetic stripe reading head
- 2) a 2 row x 20 character per row display
- 3) a 16-key full travel keypad
- 4) an RS-232 serial port
- 5) a wand port for optional bar code wand
- 6) two control lines for external relay control (door access, and bell ringer are typical applications)
- 7) a 25-pin parallel port

The terminal is offered in different hardware variations. Listed below are the variations by part number and description:

Part #	Description
C - Programmable e-prom (DataLog)	
01-0120-000	DataLog with LAN (RS-485)
01-0120-002	DataLog with Modem (no LAN)
01-0120-003	DataLog with LAN & Internal Visible Bar Code Reader
01-0120-004	DataLog with Modem & Internal Visible Bar Code Reader
01-0120-005	DataLog with LAN & Internal Infrared Bar Code Reader
01-0120-006	DataLog with Modem & Internal Infrared Bar Code Reader
01-0120-008	DataLog with Ethernet
01-0120-010	DataLog with Ethernet & Internal Visible Bar Code Reader
01-0120-012	DataLog with Ethernet & Infrared Bar Code Reader
Acrocomm e-prom (Acroprint Data Collection Terminal — ADCT)	
01-0147-000	Acroprint with LAN (RS-485)
01-0147-002	Acroprint with Modem (no LAN)
01-0147-003	Acroprint with LAN & Internal Visible Bar Code Reader
01-0147-004	Acroprint with Modem & Internal Visible Bar Code Reader
01-0147-005	Acroprint with LAN & Internal Infrared Bar Code Reader
01-0147-006	Acroprint with Modem & Internal Infrared Bar Code Reader
01-0147-008	Acroprint with Ethernet
01-0147-010	Acroprint with Ethernet & Internal Visible Bar Code Reader
01-0147-012	Acroprint with Ethernet & Infrared Bar Code Reader

Note: The part number of your unit can be found on the serial number label on the back of the terminal.

General specifications

- A. Enclosure: 8.7 in. (23 cm) wide x 6.1 in. (16 cm) tall x 2.3 in. (6 cm) deep. “Clamshell” construction of 0.125 in. (3 mm) thick Polycarbonate/ABS injection molded flame retardant plastic. Includes reversible mounting bracket and access door which protects I/O ports.
- B. Multilayer main logic board with internal ground and power planes.
- C. Z-180 Microprocessor.
- D. Up to 512 Kbyte configurable memory. Most common configuration is 64K ROM and 128K RAM.
- E. Lithium battery backed RAM.
- F. Real Time Clock Chip on-board.
- G. Magnetic card reader: Track 2 ABA recording head for reading standard “Credit Card” format through the slot.
- H. Display: 2 lines with 20 characters on each line. ADCT is backlit.
- I. Keypad: Full travel keys with elastomeric contact pad, 4 rows x 4 columns.
- J. Serial Port: RS-232 using 6 position (4 contact) RJ-11 modular connection.
- K. Serial Port: RS-485 (Local Area Network) using RJ-11 modular connection.
- L. Parallel port: 25-pin DB connection.
- M. Internal Modem: Bell 212A (1200bps) and 103 (300bps), CCITT V.22 bis (2400 bps) and V.22 (1200 bps), asynchronous, licensed for use over public telephone lines.
- N. Internal Multi-Frequency Piezo Electric Buzzer.
- O. Internal Bar Code Reader: Visible or Infrared Bar Code reading through the slot.
- P. Control lines: Two pins of the 6-pin circular DIN connector can be used with external relay box to control devices such as door locks and bells.
- Q. External Bar Code port: 6-pin DIN connection for external Bar Code Wand or Bar Code Gun.
- R. Power: Wall mount transformer, 9 Volts AC/DC 800 mA minimum or 10 Volts AC/DC 700 mA minimum, with female secondary plug size 2.1 x 5.5 mm.

2. Setup

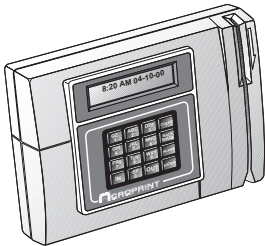
Site requirements

The terminal can be installed in any normal office or controlled factory environment. However, do not use the terminal under the following conditions:

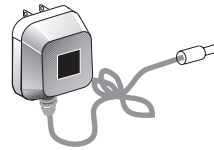
- extremely high or low temperature
[operating temperature range: 0° to 50° C (32° to 122° F)]
[storage temperature range: -20° to 60° C (-4° to 140° F)]
- extremely high or low humidity
[operating humidity range : 0 to 90% RH non-condensing]
- areas of high dust concentration
- areas with chemical fume concentration
- areas with extreme vibration or when placed on an unstable or unlevel surface

Unpacking and inspection

Having opened the shipping carton, carefully remove the contents. Inspect the terminal and accessories for damage. Report damage or shortages to the company from which the unit was purchased. Complete the registration card with all important information.



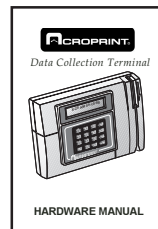
(1) Terminal



(1) Power Supply



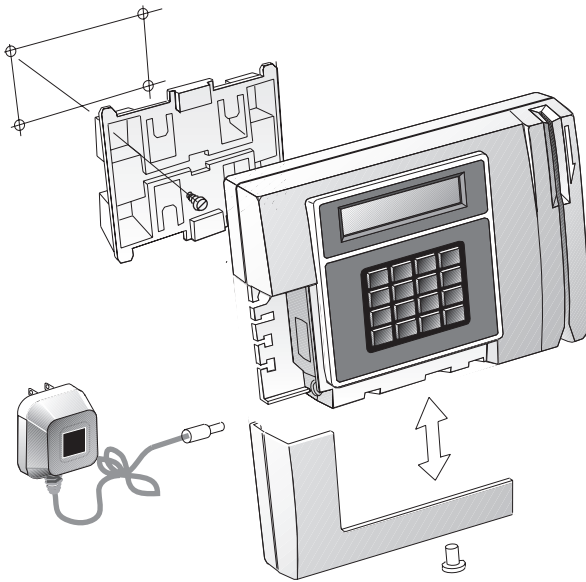
(4) Mounting Screws



(1) Manual

Mounting

Unscrew the access door. With the door off, the main unit can be slid upward and removed from the mounting bracket. The bracket can be used for wall mounting, or it can be reversed to tilt the unit on a desktop.



Power up

Plug in the power cord coming from the wall mount transformer into the terminal. Reattach the access door and secure the unit to the reversible bracket. Replace screw on the access door.

NOTE: Other connections are made in the same fashion. Notice the channels in the bracket available for cable routing. Also, the bracket has through-holes for further securing of cables using ties.

3. Operator interface

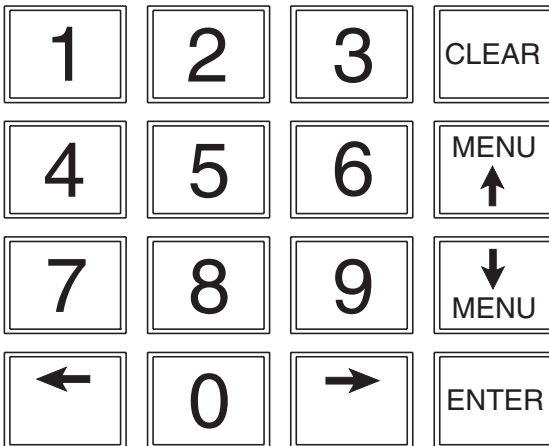
ADCT Keypad

The terminal has 16 keys for entering alphabetical and numeric data as illustrated below.



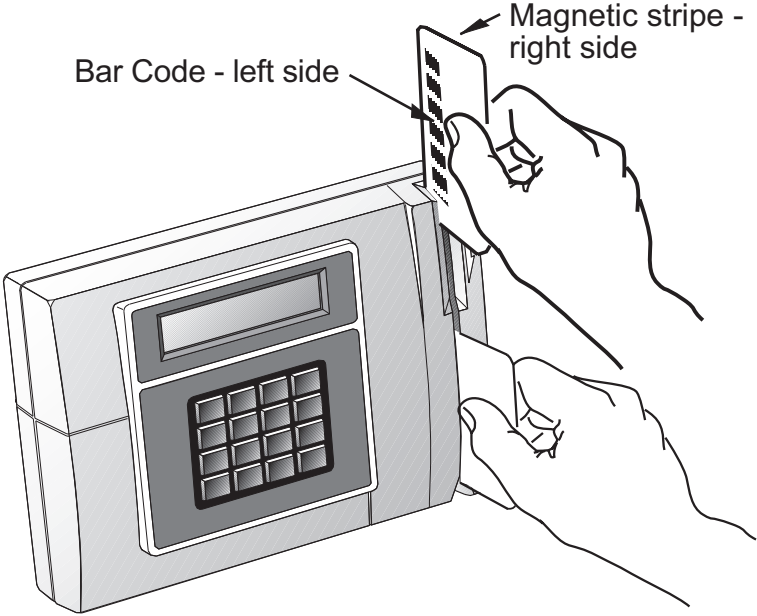
DataLog Keypad

The terminal has 16 keys for entering data as illustrated below.

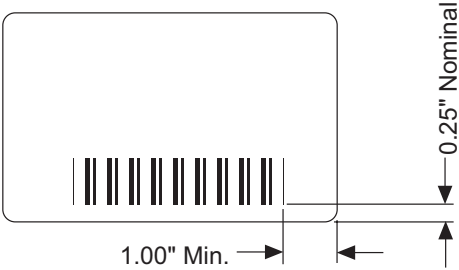


Card reader

The terminal has an internal magnetic stripe card reader. The magnetic stripe on the card should be on the right side when the card is swiped as shown below.



Optionally, the terminal can also have an internal bar code reader. The card is swiped through in the same fashion, but the Bar Code should be on the left side of the card when swiped.



NOTE: For through-the-slot reading, Bar Code should be located on card as shown.

4. Ports and connections

Acroprint Data Collection Terminal setup instructions

Configuring procedure for entering the DATE & TIME:

Swipe the Configuration Badge 000000000

(This badge is provided with each terminal)

Select option 1 for DATE <Press ENTER>

Select the Day, Month, Year DDMMYYYY <Press ENTER>

Select the Time HH:MM <Press ENTER>

(Time is entered in military time, 2:00 pm = 14:00)

Configuring procedure for selecting PORTS:

Swipe the Configuration Badge 000000000

(This badge is provided with each terminal.)

Select option 2 for Ports <press ENTER>

Select option 0 for RS232 <press ENTER>

Select the baud rate 0 for 1200, 1 for 2400, 2 for 4800, 3 for 9600 and 4 for 19,200 baud. <press ENTER>

(For modem terminal only)

Select option 1 for Modem <press ENTER>

Select the Modem baud rate 0 for 1200 and 1 for 2400 baud <press ENTER>

Select the Answer Window HHMMHHMM for starting and ending times <press ENTER> (time is in military format, Example: Clock will not answer during business hours and only answer between the hours of 8:00 pm and 6:00 am, then select 20000600.)

(For RS485 terminals only)

Select option 1 for RS485 <press ENTER>

Select the baud rate 0 for 1200, 1 for 2400, 2 for 4800, 3 for 9600 and 4 for 19,200 baud. <press ENTER>

(For Ethernet terminals with ATR9800 only)

Select option 2 for Ethernet <press ENTER>

Select the baud rate option 3 for 9600 baud <press ENTER>
(Leave this as the default for Ethernet.)

Select the TCPIP address <press ENTER>
(Your network administrator will have this information.)

Select the GATEWAY address <press ENTER>
(Your network administrator will have this information.)

Select the PORT VALUE <press ENTER>
(Default number 10001. Select the same value in the ATR9800 software.)

Select the NETMASK VALUE <press ENTER>
(*Your network administrator will obtain this information.* The Network SubNetMask TCPIP number contains 4 elements of numbers separated by “.”. To determine the NETMASK VALUE obtain your Network SubnetMask IP number from the Network administrator, i.e. XXX.255.255.000. Convert the last three elements (your numbers will be different) to binary and count the total number of zero’s in each binary element and enter this number. 255 = 11111111 in binary, 000 = 00000000. Each 255 contains NO zeros therefore the Netmask value bits number is set to 08 for the example XXX.255.255.000.) The Ethernet terminal Netmask values can range from 01 to 24.

Select the TERMINAL TRANSACTION PRINTER TYPE
<press ENTER>
(default is parallel port)

Select TRANSACTION TIME OUT <press ENTER>

(This controls how long the terminal will restrict between badge swipes. Example: You want to keep your employees off the terminal for at least 30 minutes for lunch, then set Transaction Time Out to 30.)

Select TERMINAL ID <press ENTER>

(default is 1, select the ID for terminal, each terminal MUST have a unique ID)

The terminal MUST be powered down and back up to accept the new TCPIP information.

Configuring procedure for selecting the READERS:

Swipe the Configuration Badge 000000000

(This badge is provided with each terminal.)

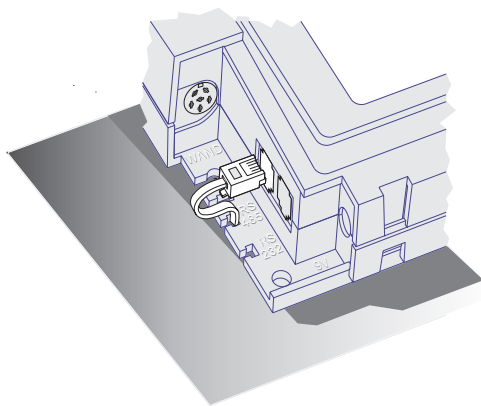
(Select any combination 1234 to activate the readers. 1 for Internal Barcode, 2 for External Barcode, 3 for Internal Magnetic Stripe and 4 for Internal Proximity Reader) Note, if 4 is selected then the External Barcode Reader will be disabled.

Note, if you turned OFF all readers you will be unable to read the configuration badge. The following procedure will allow you to re-enable the readers. Press the IN, then the OUT and then the ENTER key within 1 second. The terminal will go into a testing mode. Press the Clear key, press the IN key, then the OUT key and then the ENTER key within 1 second or before the time is displayed.

Ethernet port

The Ethernet port is located on the lower left corner of the terminal. It is a 10 position 8-pin female port which will accept a male 10BASE-T (RJ-45) modular connector. The terminal has the capability to communicate across an intranet, a WAN or the Internet.

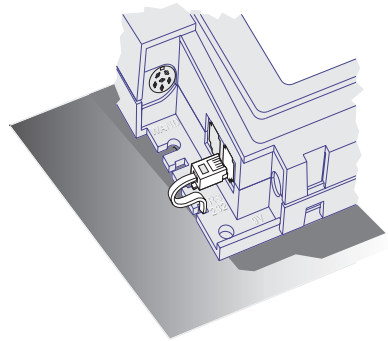
Note: Ethernet communicates via TCP/IP 10BASE-T only.



RS-232 Serial port

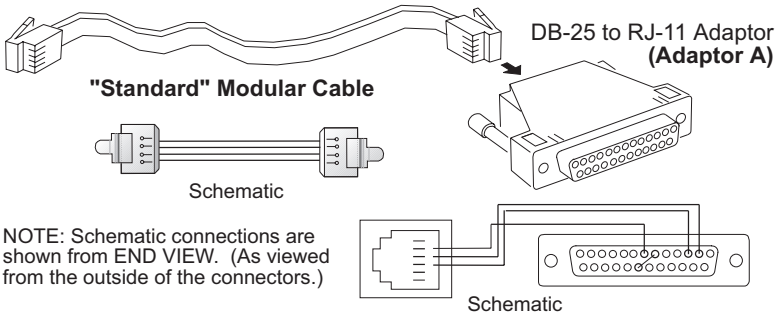
The RS-232 serial port is located on the lower left corner of the terminal. It is a 6 position 4-pin female port which will accept a male RJ-11 modular connector.

The Acroprint Data Collection Terminal can use RS-232 serial communication to connect directly to a host computer. A connection for an IBM PC or compatible is shown below.



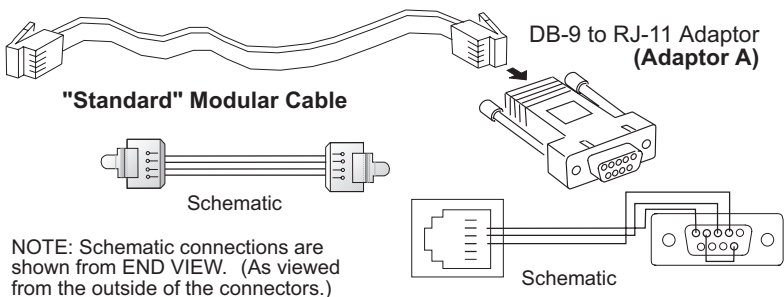
Cabling to Host Computer with DB-25 Port

(Use DB-25 RS-232 Host Cable Assembly. See page 26.)



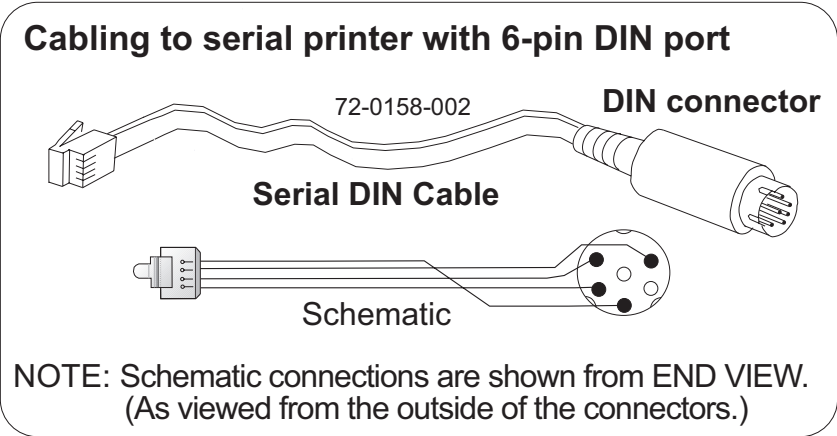
Cabling to Host Computer with DB-9 Port

(Use DB-9 RS-232 Host Cable Assembly. See page 27.)



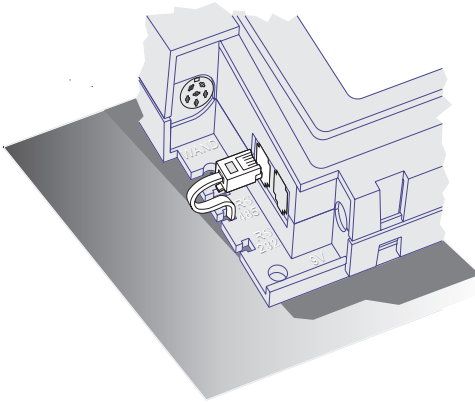
RS-232 Serial printer cables

The terminal serial port is used for connection to a serial printer. Printers, such as the serial printer shown on page 24, use a circular DIN connection. The Serial DIN Cable is shown below (see page 26).



Local Area Network: RS-485 serial port

The RS-485 serial port is located on the lower left corner of the terminal. It is a 6 position 4-pin female port which will accept a male RJ-11 modular connector.



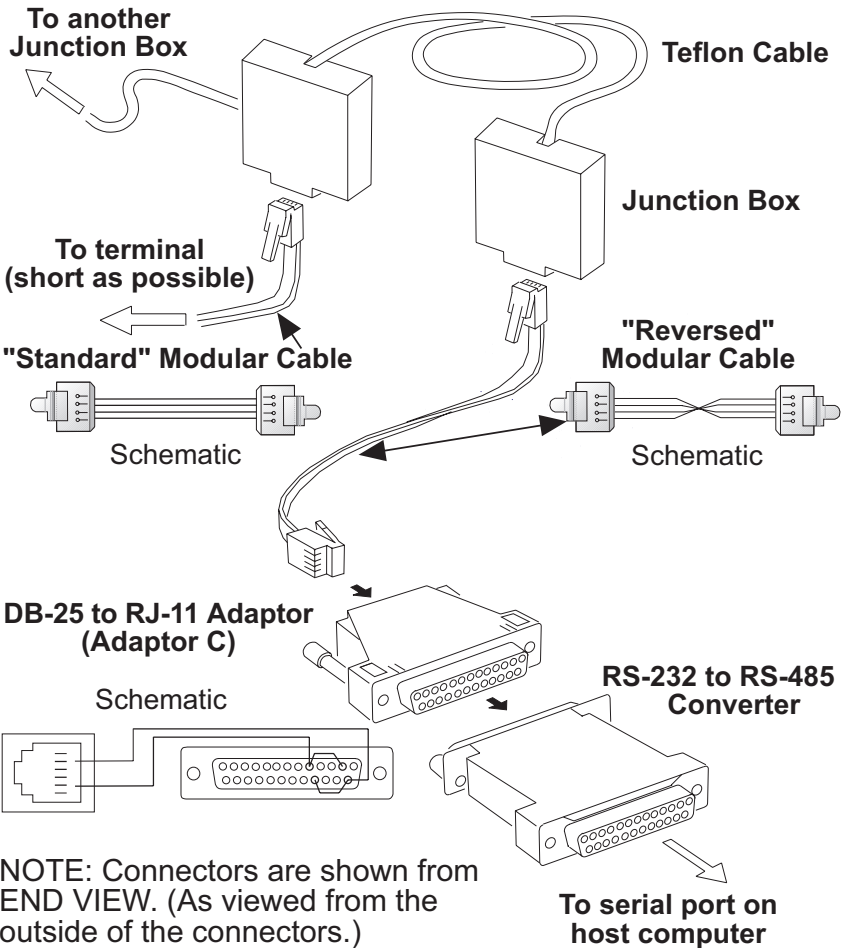
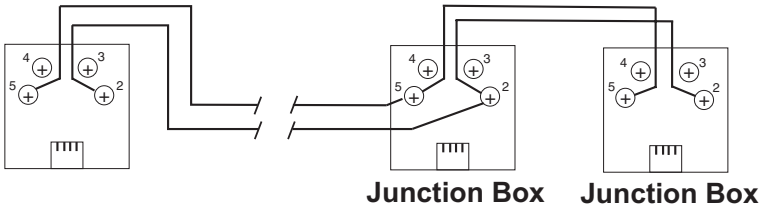
The terminal can use RS-485 2-wire serial communication, allowing up to 32 terminals to be connected to one host port. An RS-232 port on the host is typically used in conjunction with an RS-232/RS-485 converter to complete the connection.

Through software, the host can communicate with individual terminals even though they are wired in parallel. RS-485 communication uses a differential bus which provides good protection from interference over long runs of up to 4000 feet.

NOTE: When wiring a network, always follow the electric wiring codes in your area. Typically, a teflon coated wire is required for wiring through the ceiling. The junction box to junction box wire shown on the opposite page is a teflon jacketed cable.

RS-485 Serial cables

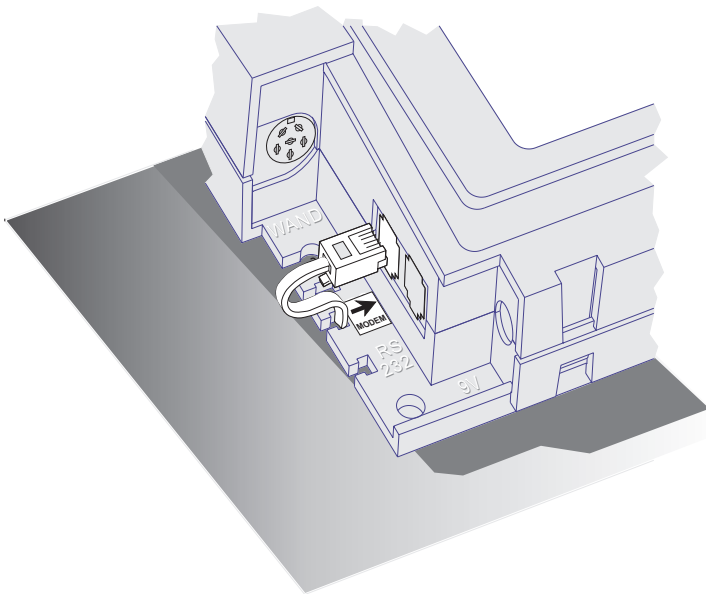
Junction Box "Daisy Chain" Wiring Diagram



NOTE: Connectors are shown from END VIEW. (As viewed from the outside of the connectors.)

Modem port

Terminals which are equipped with a MODEM port, will not have an RS-485 port. The MODEM port, when installed, physically replaces the RS-485 port and occupies the same location - the lower left corner of the badge terminal. It is a 6 position 4-pin female port which will accept a male RJ-11 modular connector.



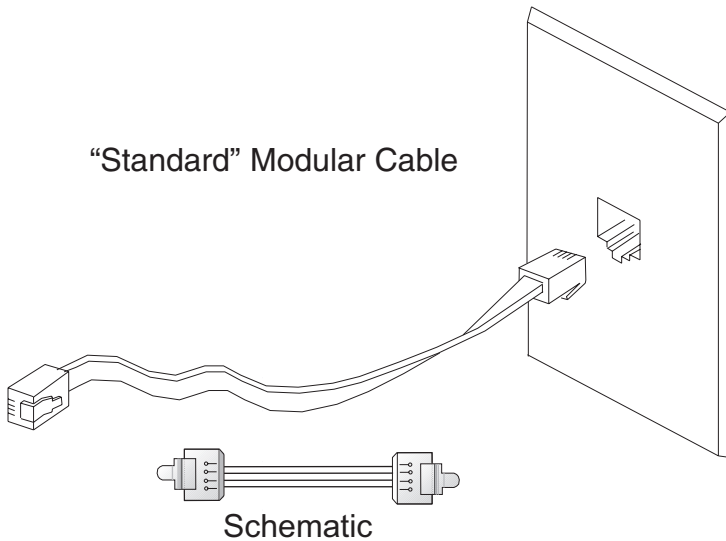
The internal modem (modulator/demodulator) converts electronic data into tones which are then transmitted over phone lines. The modem is compatible with Bell 103/212A and CCITT V.21/V.22 devices. It supports both asynchronous and synchronous (SDLC) communication and can communicate with a host computer over phone lines at 300, 1200, and 2400 baud.

Modem cables

The cabling for modem operation is typically very simple. The modular connection uses the two inner wires of the RJ-11 jack for “tip” and “ring.”

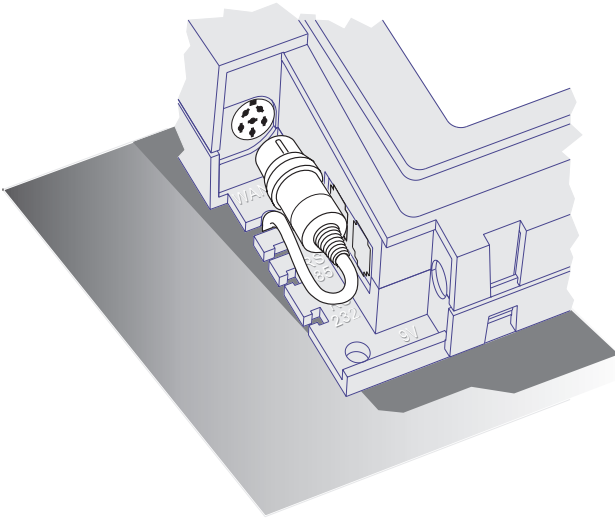
Connect one end of the cable to the terminal and plug the other end into your RJ-11 type modular telephone wall jack.

If a modular wall jack is not available, obtain an adaptor from your local telephone company.



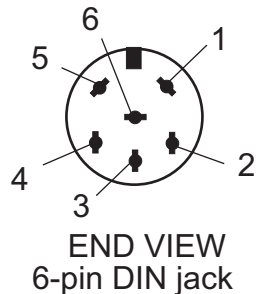
Wand port

The Wand port is located on the lower left corner of the terminal. It is a 6-pin DIN port which will accept a circular DIN connector.



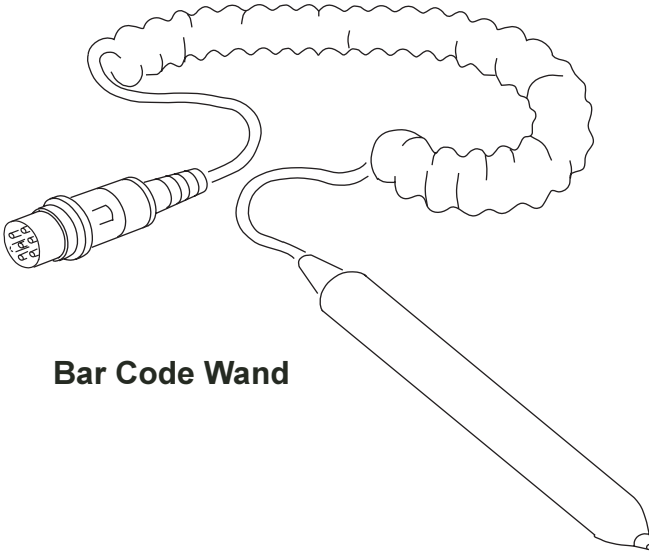
The Wand, when connected, uses only 3 of the 6 pins available on the DIN connection. If a Bar Code Gun (non-contact reader) is used, the center pin supplies additional power. The terminal uses 2 of the remaining pins as logic lines for external controls. See pin-out and function table below:

Pin	Function
1	+5 Volts
2	Signal control logic line (special)
3	Bar Code Wand receive data
4	GND
5	Access logic line (special)
6	9 Volt unregulated (maximum current draw 220 mA)



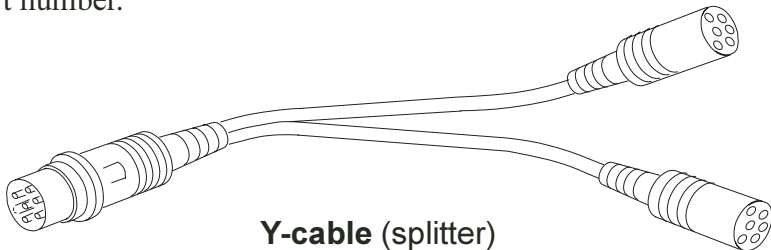
Wand and Y-Cable

Disconnect power to the terminal before connecting the Bar Code Wand. The wand is capable of reading bar code stripes by passing it directly over the label. Check the software manual to identify the codes your terminal will read.



Bar Code Wand

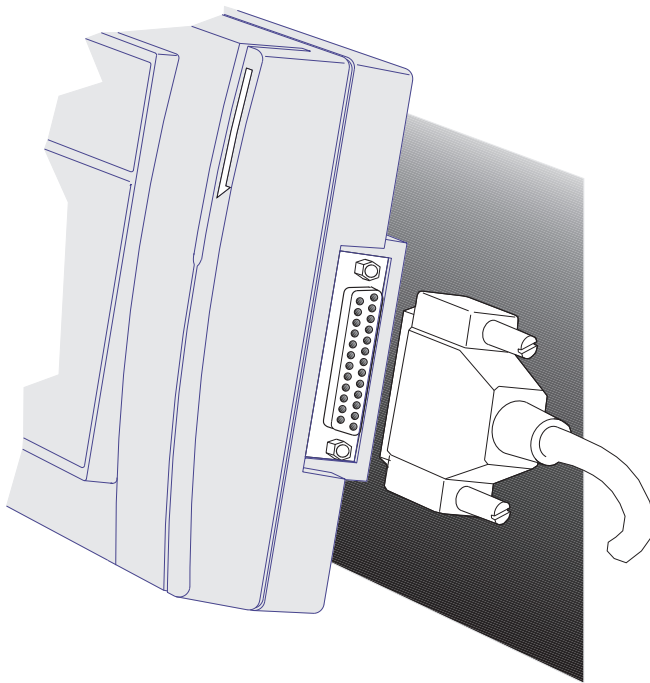
The Y-cable shown below allows for connection of both a wand and other external devices. The single end of the cable is plugged into the terminal. A wand can be connected to one split and another device to the other. See appendix for External Relay Box part number.



Y-cable (splitter)

Parallel port

The parallel port is located on the right side of the Acroprint Data Collection Terminal. It is a 25 pin female port which will accept a 25-pin male connector.

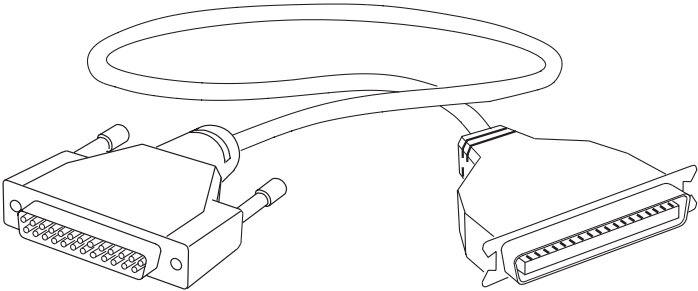


This type of parallel port is typically used on IBM® PC or IBM-PC compatible computers. The Acroprint Data Collection Terminal provides strain relief if the connector is locked in by the securing screws. Additional strain relief can be obtained by securing the parallel cable to the wall or mounting surface.

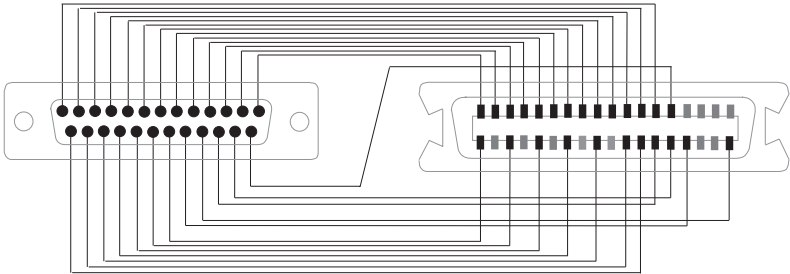
* IBM® is a registered trademark of International Business Machines.

Parallel cable

The parallel port is typically used for connection to a parallel printer. Shown below is a parallel interface cable. Since this is the same cable that is used to connect an IBM-PC or compatible to a printer, it will likely be available from most computer dealers off-the-shelf. One end is a male DB-25 connector, the other end is a 36-pin Centronics-type connector to match the parallel port on the printer.



Parallel Cable

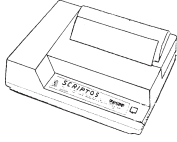


Schematic

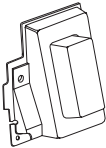
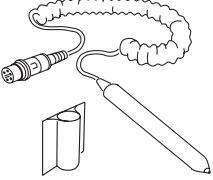
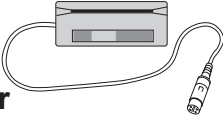
Note: Schematic connections are shown from END VIEW.
(As viewed from the outside of the connectors.)

5. Companion products


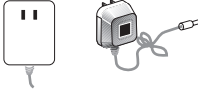
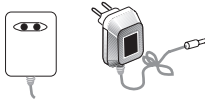
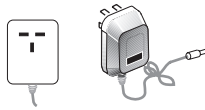
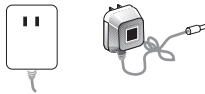
Printer

Description/Illustration	Part Number
<p>40/80 Column Thermal Printer Serial Communication</p>  <p>Requires RS232 Serial Cable 72-0158-002</p>	<p>74-0108-003 configured for 40 columns 74-0108-004 configured for 80 columns</p>

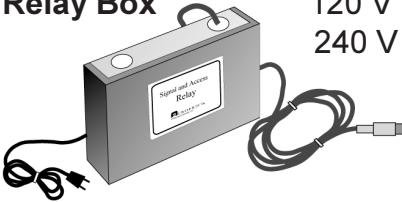

Readers




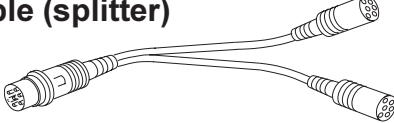
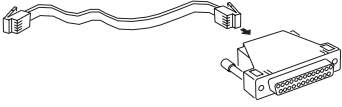
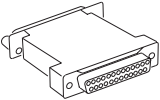
<p>Fingerprint Scanner Kit Factory Installed Only</p> 	<p>25-0124-000</p>
<p>Bar Code Wand and Holder</p> 	<p>74-0106-002</p>
<p>External Bar Code Slot Reader</p> 	<p>Visible Infrared</p> <p>74-0111-000 74-0111-002</p>
<p>Internal HID Proximity Module Factory Installed Only</p>	<p>25-0126-000</p>

Power Supplies



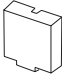
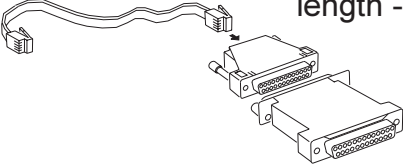
Description/Illustration	Part Number
Lighter Power 12 VDC Adaptor 	72-0160-000
120VAC to 9VAC Power Supply 	56-0113-000
230VAC to 9VAC Power Supply European 	56-0116-000
240VAC to 9VAC Power Supply British 	56-0117-000
230VAC to 9VAC Power Supply Parallel Blades 	56-0118-000

External Relay Box, External Buzzer

External Relay Box 	120 V 240 V	01-0121-000 01-0121-002
External Buzzer 		01-0122-000

Description/Illustration	Part Number
<p>“Standard” Modular Cable  length - 7 feet - 50 feet</p>	<p>72-0146-000 72-0146-004</p>
<p>“Reverse” Modular Cable  length - 7 feet - 50 feet</p>	<p>72-0164-000 72-0164-004</p>
<p>Serial DIN Cable - (RS-232/printer) </p>	<p>72-0158-002 use with 40/80 column printer</p>
<p>Y-Cable (splitter) </p>	<p>72-0159-000</p>
<p>DB-25 RS-232 Host Cable Assembly Includes DB-25 (RS-232/host) to RJ-11 female adaptor and “Standard” Modular Cable.  length - 7 feet - 50 feet</p>	<p>25-0116-000 25-0116-007</p>
<p>Remote Lan Adaptor </p>	<p>63-0179-002</p>

Cables, Converter, Badge Racks

Description/Illustration	Part Number
<p>DB-9 RS-232 Host Cable Assembly</p> <p>Includes DB-9 (RS-232/host) to RJ-11 female adaptor and "Standard" Modular Cable.</p> <p style="text-align: center;">length - 7 feet - 50 feet</p> 	<p>25-0116-004 25-0116-008</p>
<p>Modem Adapter Cable Assembly</p> <p>Includes DB-25 (modem) to RJ-11 male adaptor and "Standard" Modular Cable.</p> <p style="text-align: center;">length - 7 feet</p> 	<p>25-0123-000</p>
<p>Teflon Cable (available by the foot)</p>	<p>55-0124-000</p>
<p>Junction Box</p> 	<p>63-0169-000</p>
<p>RS-232 to RS-485 Converter Assembly</p> <p>Includes RS-232 to RS-485 converter, DB-25 to RJ-11 female adaptor and "Reversed" Modular Cable.</p> <p style="text-align: center;">length - 7 feet</p> 	<p>25-0121-000</p>
<p>40 Pocket Badge Rack (Plastic)</p> <p>(8¼" wide x 22⁵/₈" high)</p>	<p>81-0117-000</p>
<p>2 -12 Pocket Badge Racks (Plastic)</p> <p>(3⁷/₈" wide x 14" high)</p>	<p>81-0116-000</p>



5640 Departure Drive
Raleigh, NC 27616
919.872.5800

www.acroprint.com